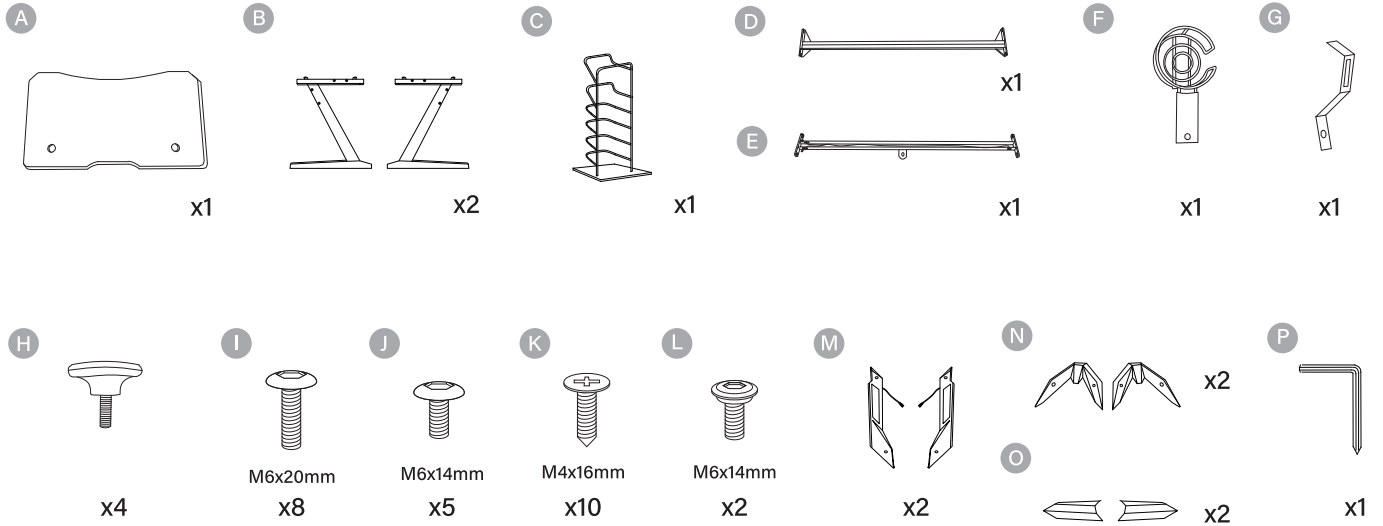


**ASSEMBLY INSTRUCTIONS**

**COMPONENTS**



**MOUNTING STEPS**

