



**TEMPEST**  
G A M I N G

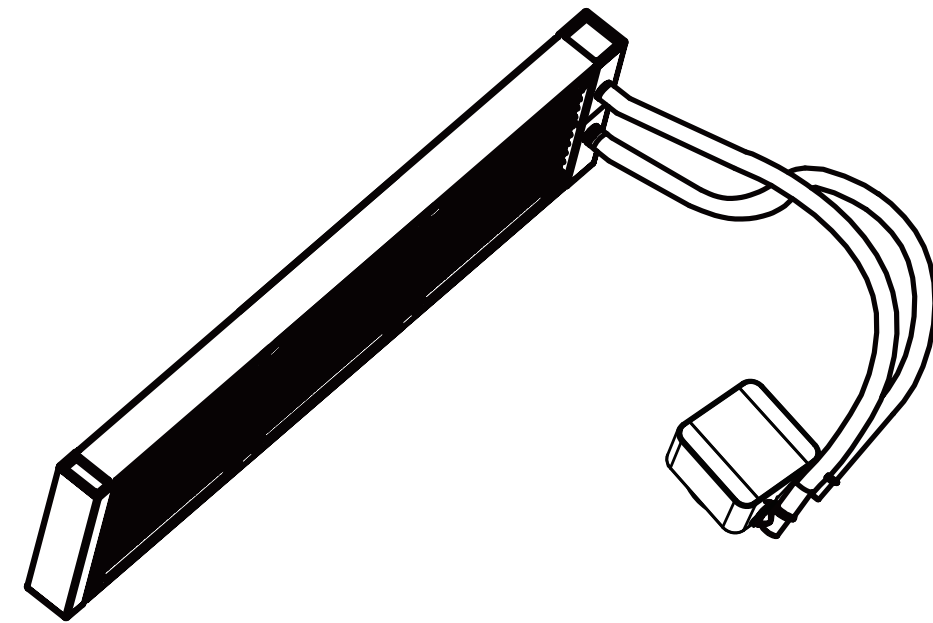


# **DARKEN 360**

LIQUID COOLER

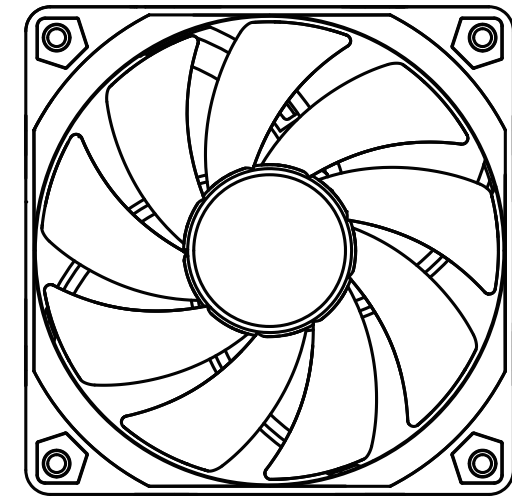
# Package Content

①



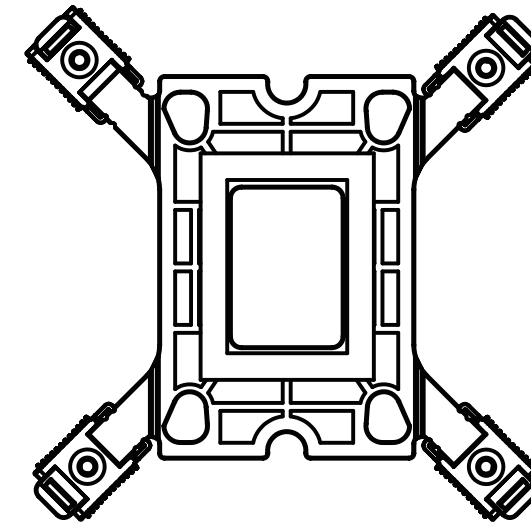
360 liquid cooler **X1**

②



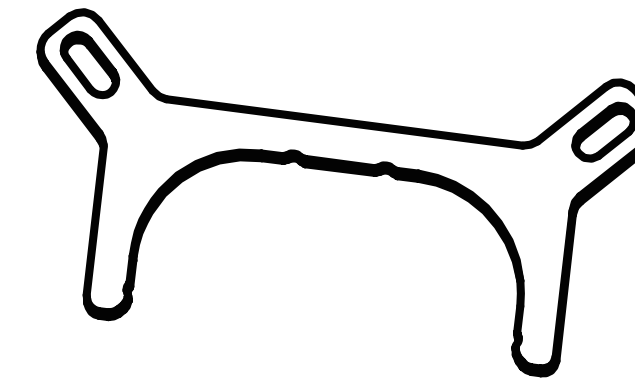
120mm fan **X3**

③



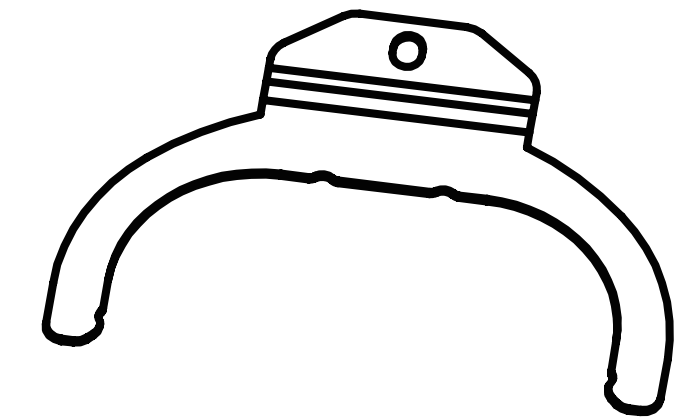
Intel 115X/17XX/1851  
backplate **X1**

④



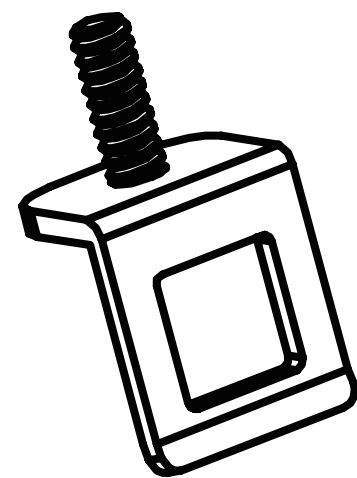
Intel mount plate **X2**

⑤



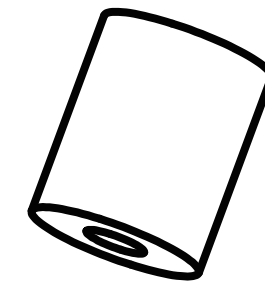
AMD mount plate **X2**

⑥



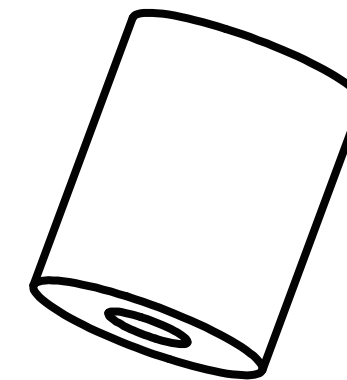
AMD mount  
buckle adaptor **X2**

⑦



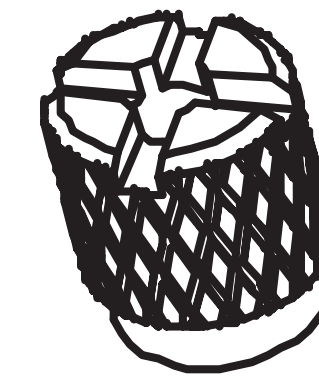
Intel 115X/1200  
plastic sleeve **X4**

⑧



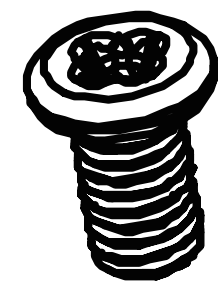
Intel 17XX/1851  
plastic sleeve **X4**

⑨



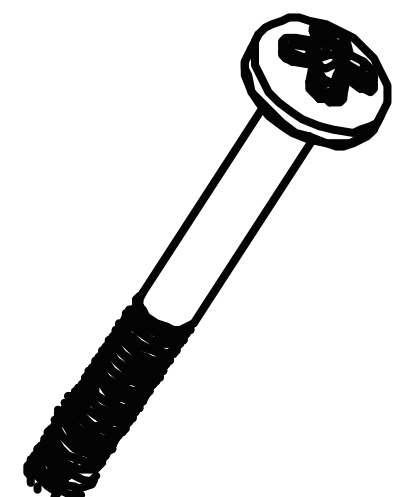
Thumbscrew **X4**

⑩



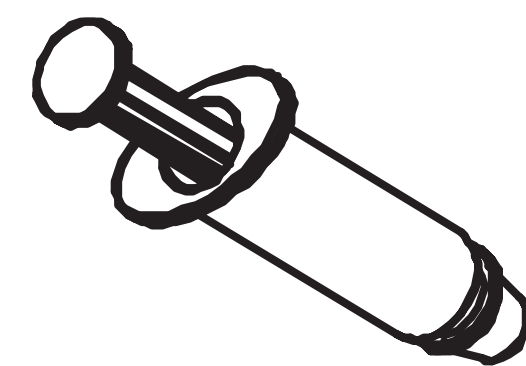
Radiator screw **X12**

⑪



Fan rod **X12**

⑫



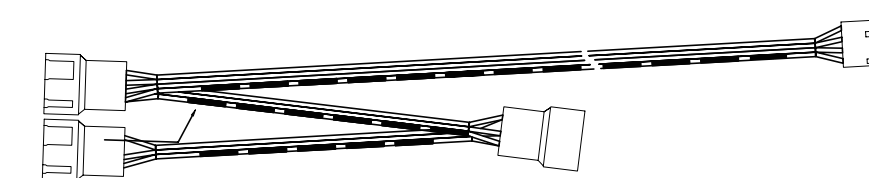
Thermal grease **X1**

⑬



Thermal grease  
applicator **X1**

⑭



Fan adapter cable **X1**

# Warning!

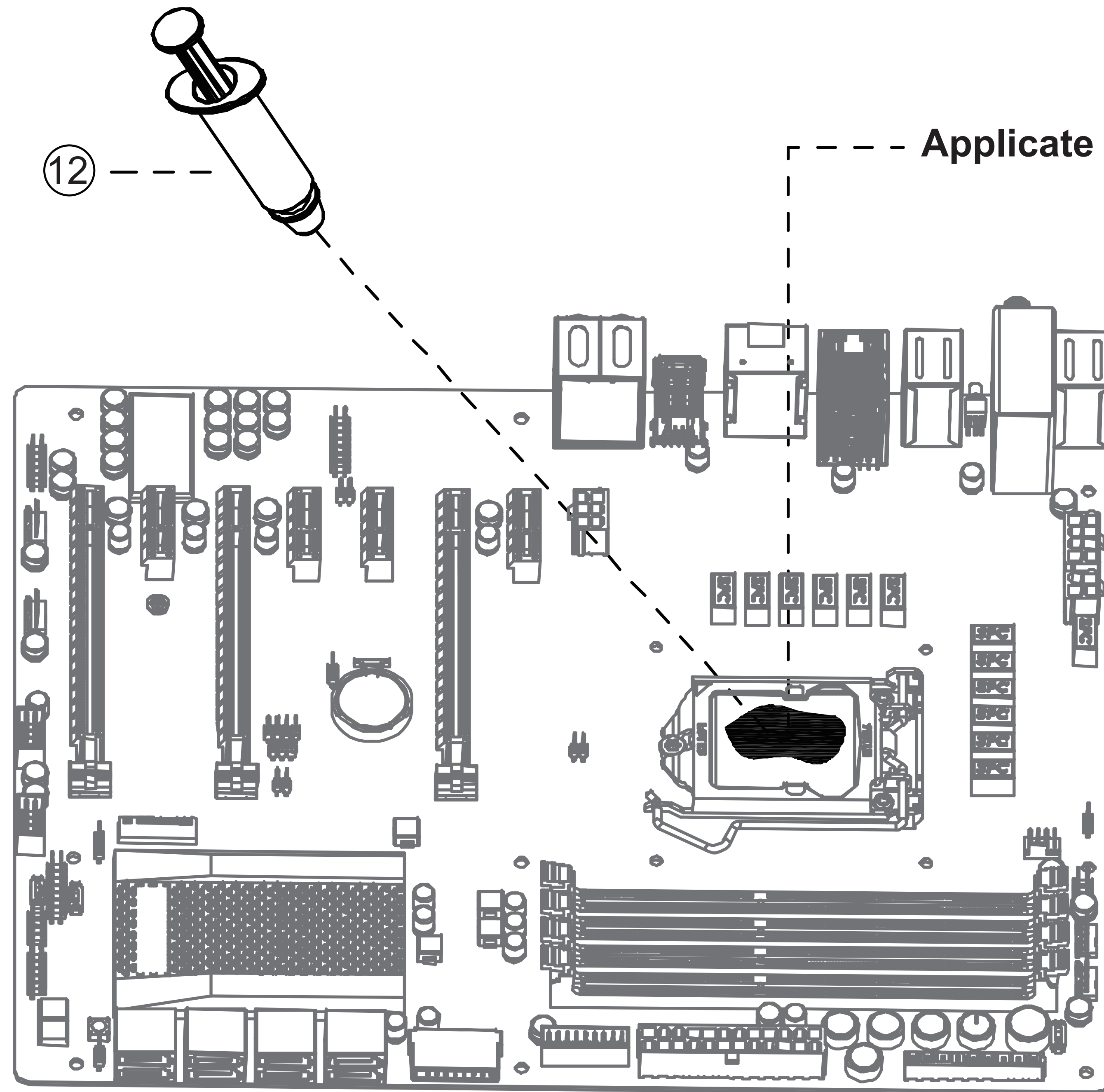
Please remove the protective film on the copper base before installation.



①

Installation instructions:  
Please remove the protective film on the copper base before installation.

# 1 Intel/AMD motherboard

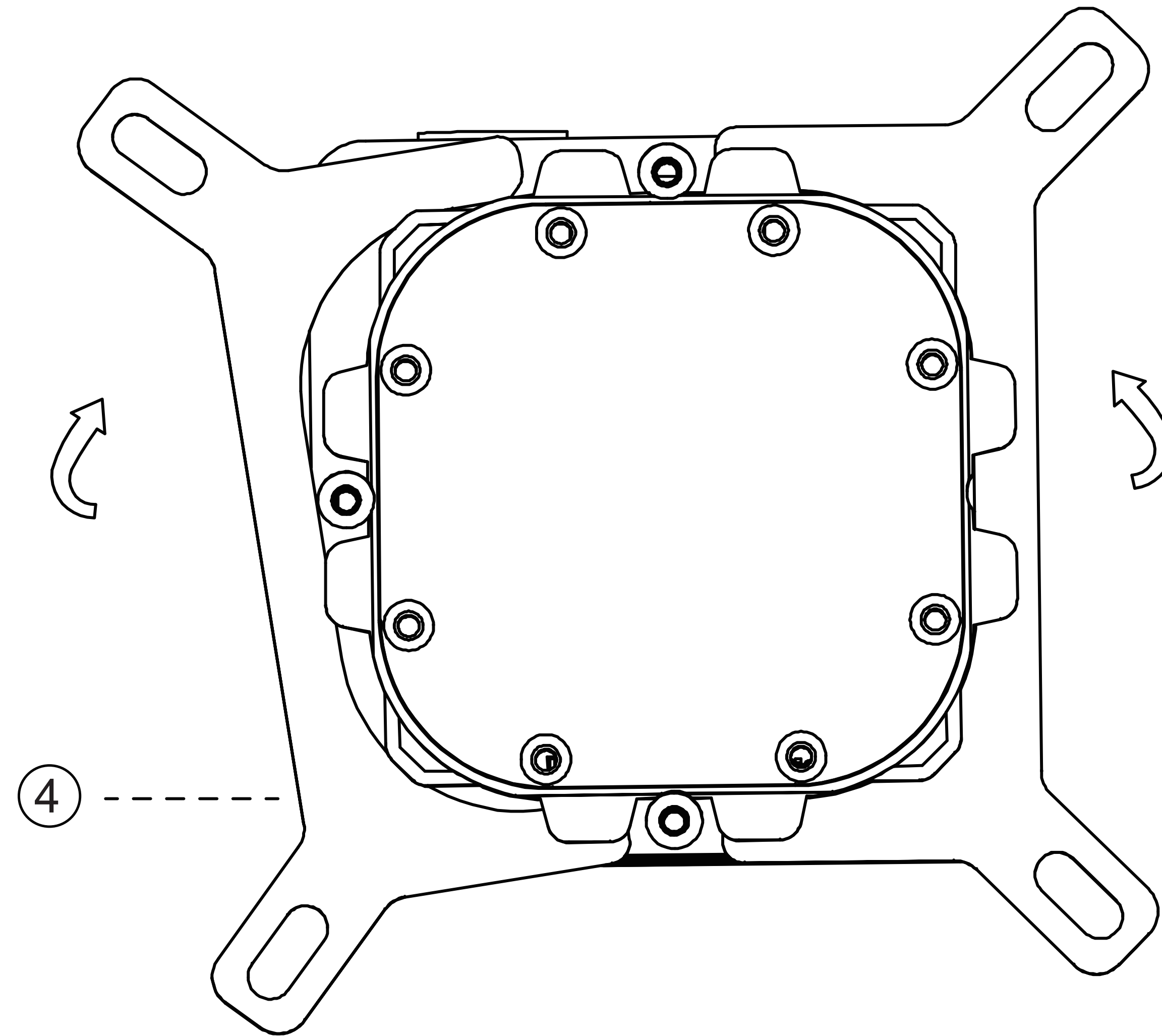


Apply thermal grease evenly on the CPU.

Installation method:

1. Apply some thermal grease on the CPU.
2. Spread the thermal grease evenly with the applicator.

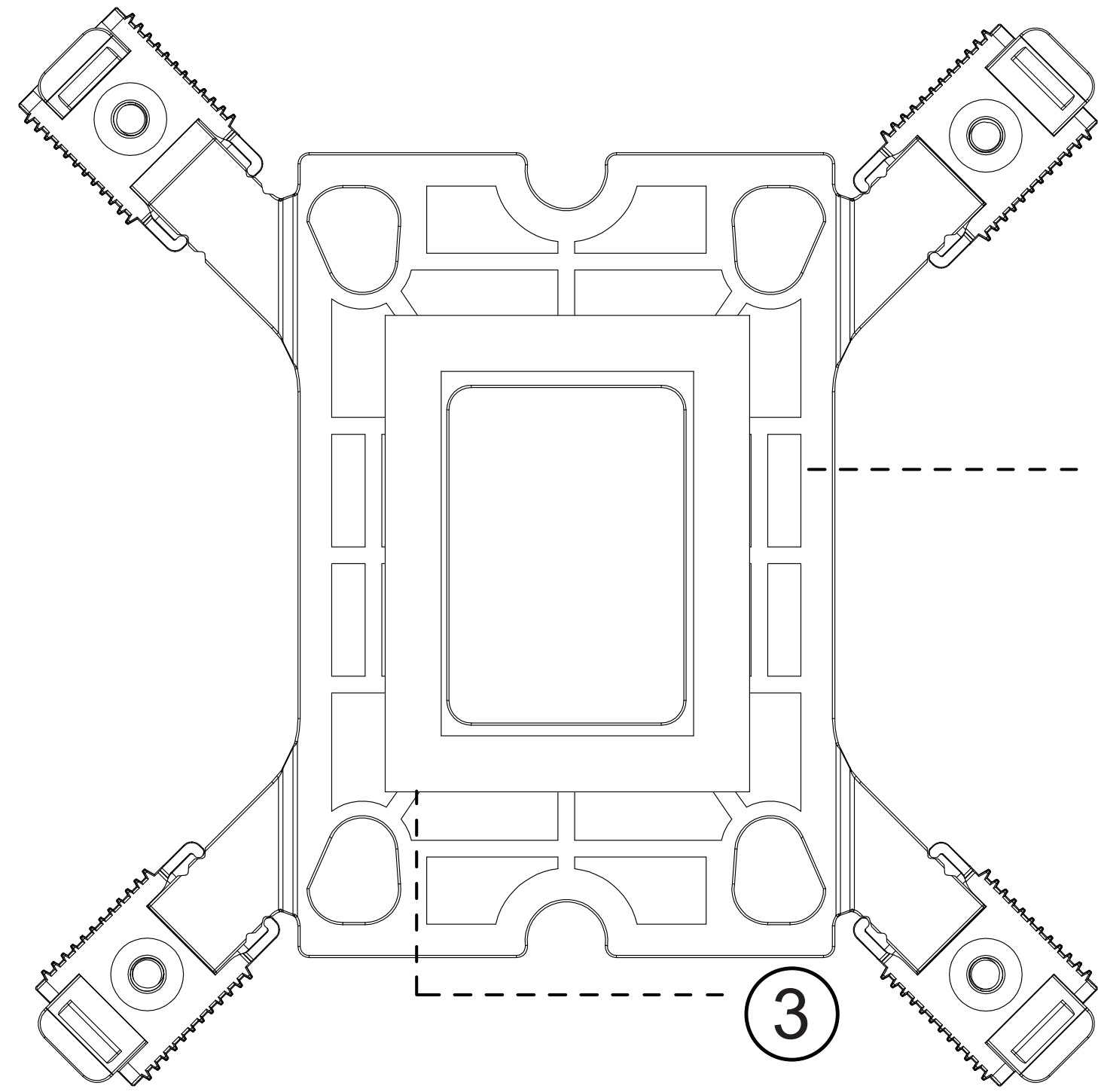
## 2 Intel motherboard



Installation method:

Align the mount plate with the hole on one side of the water block and push and fit the other end of the plate with the water block.

### 3 Intel 115X/1200/17XX/1851 motherboard



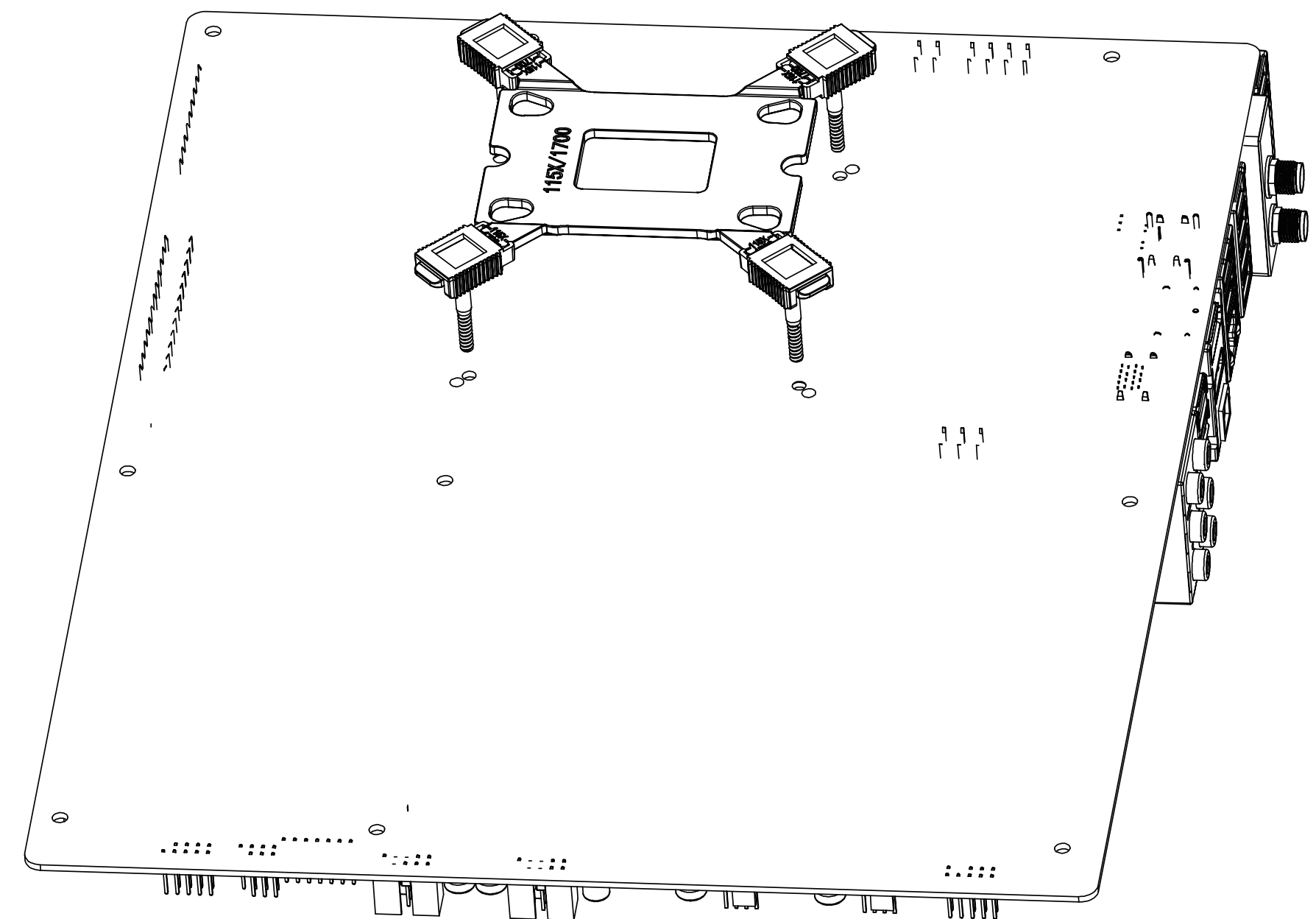
Remove the film on the backplate.

Installation method:  
Remove the film on the backplate.

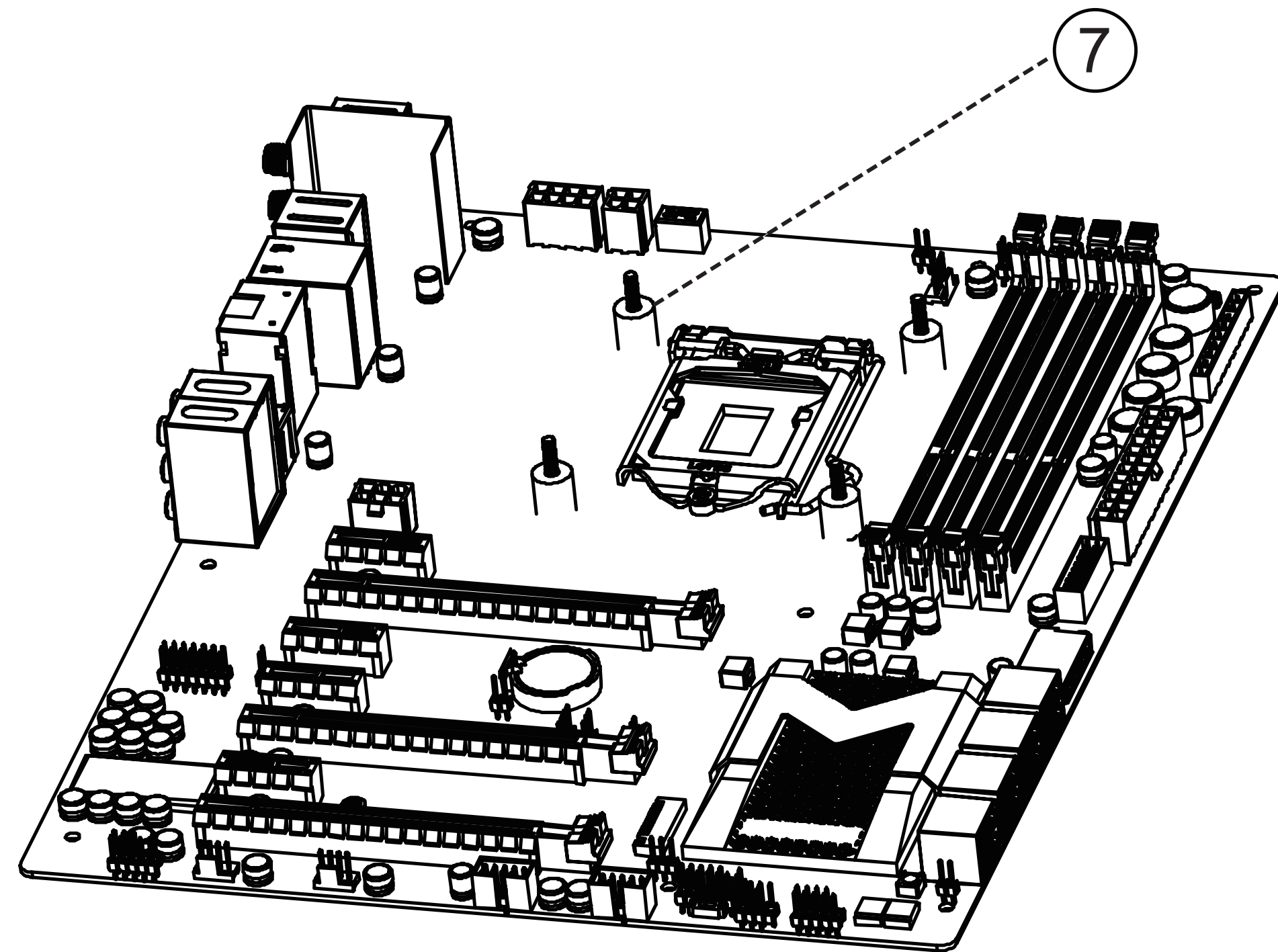
Installation method:

1. Align the rods with the holes in the motherboard.
2. Insert the rods through the holes for CPU fan.

LGA 1851 is the same as LGA 1700.



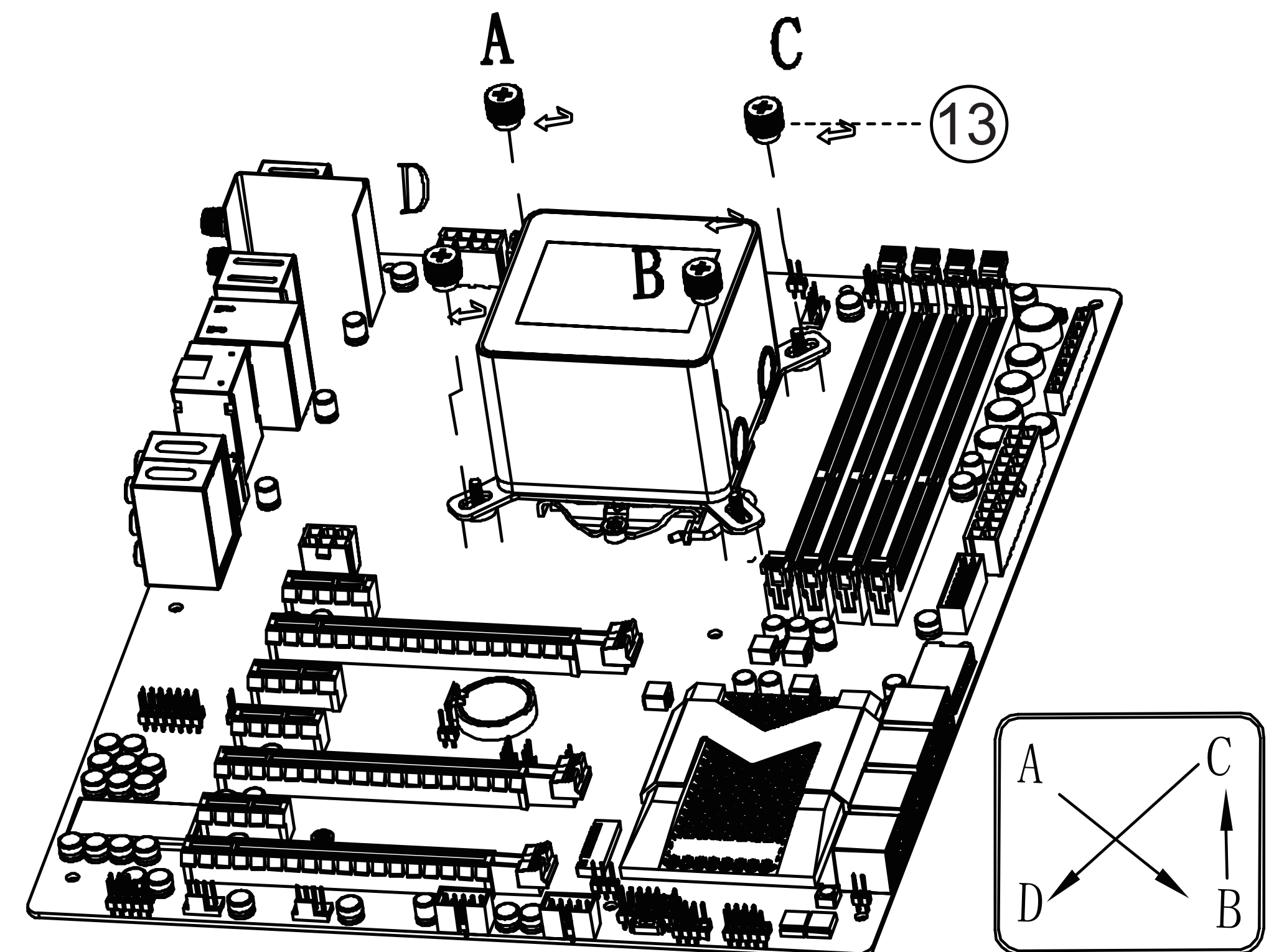
# 4 Intel 115X/1200 motherboard



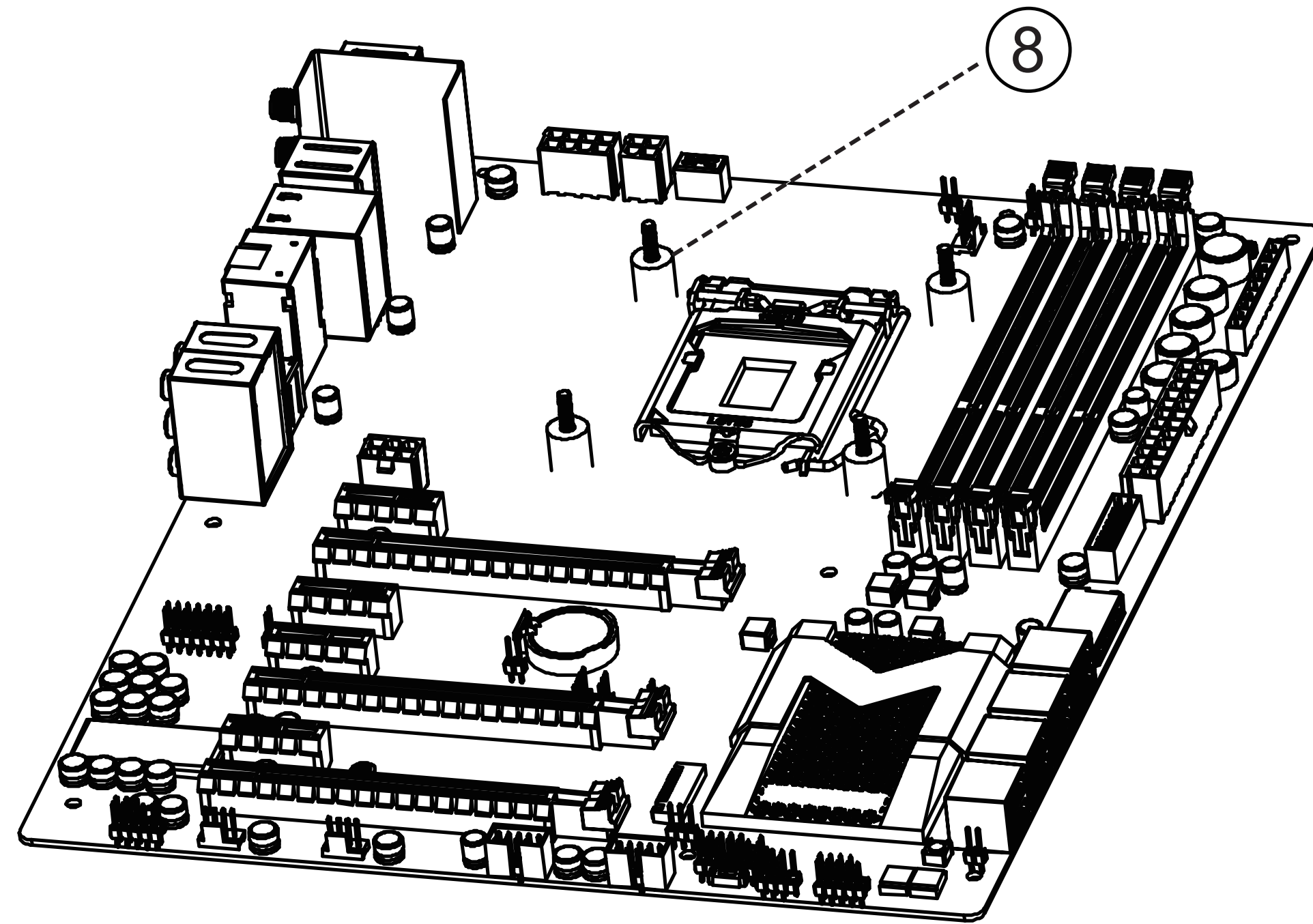
Installation method:  
Put Intel 115X plastic sleeves onto the rods.

Installation method:

1. Put the water block on the CPU as picture shows.
2. Tighten the water block with 4 thumbscrews in A-B-C-D sequence as picture shows.



# 5 Intel 17XX/1851 motherboard

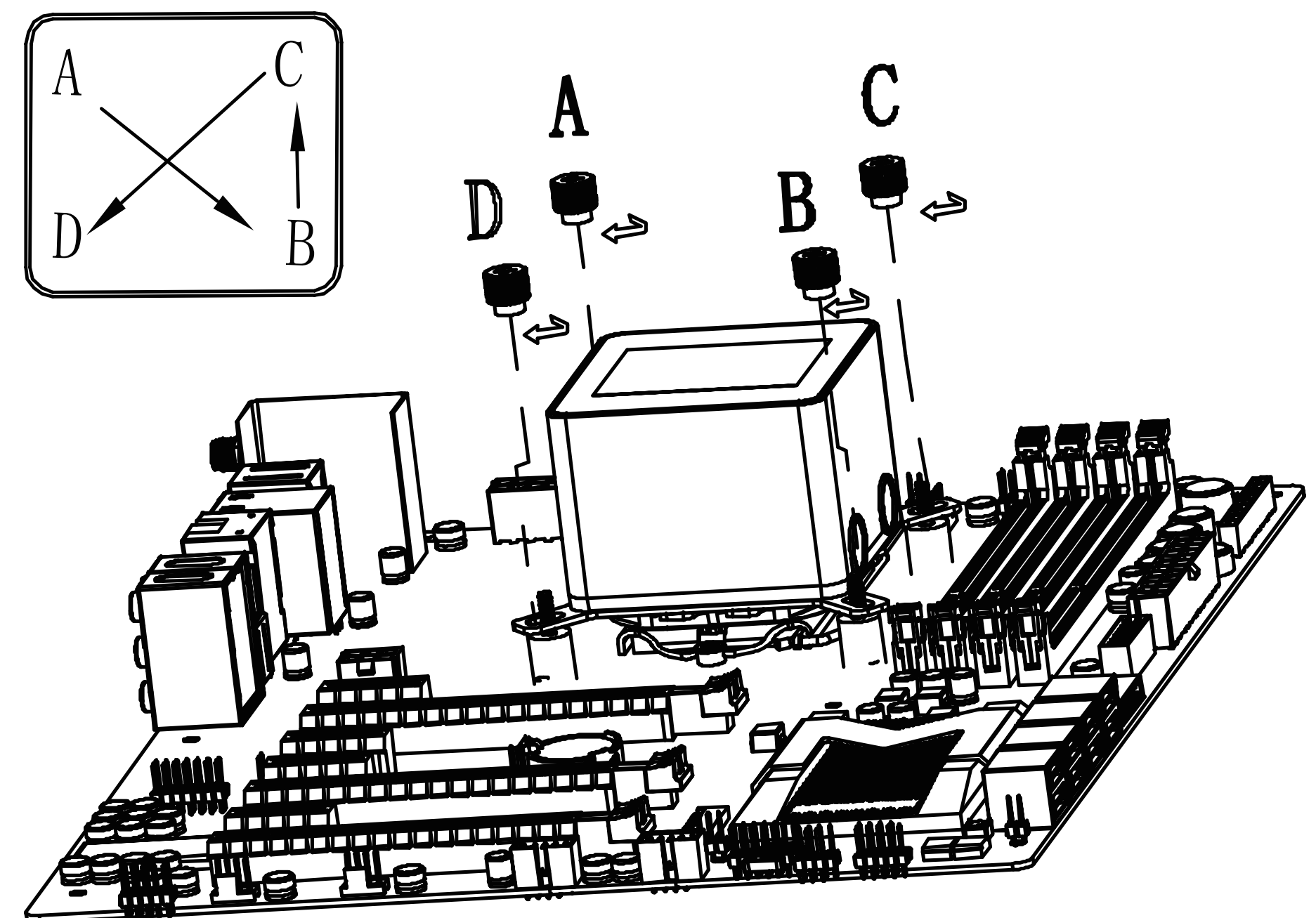


Installation method:  
Put Intel 17XX/1851 plastic sleeves onto the rods.

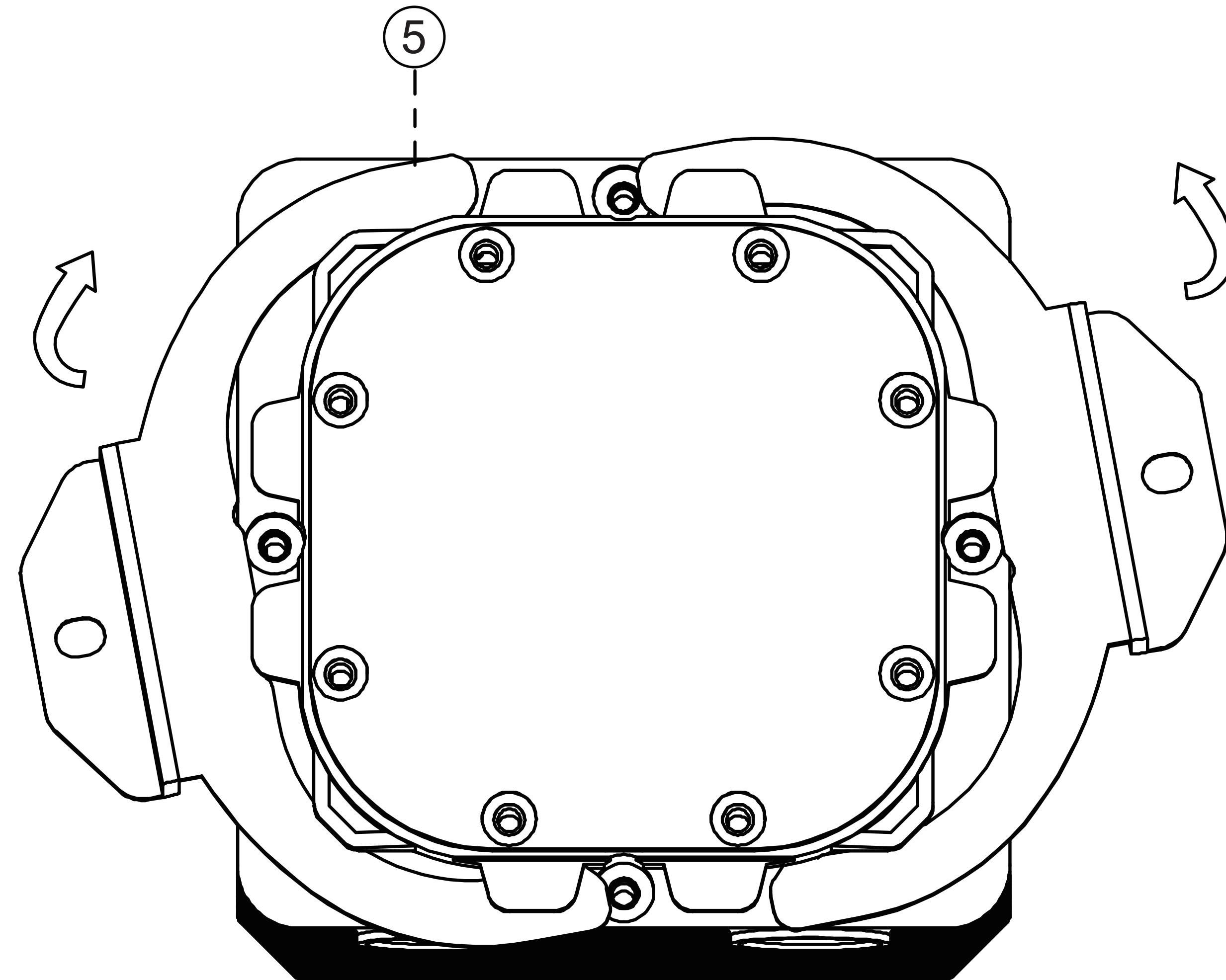
Installation method:

1. Put the water block on the CPU as picture shows.
2. Tighten the water block with 4 thumbscrews in A-B-C-D sequence as picture shows.

LGA 1851 is the same as LGA 1700 .



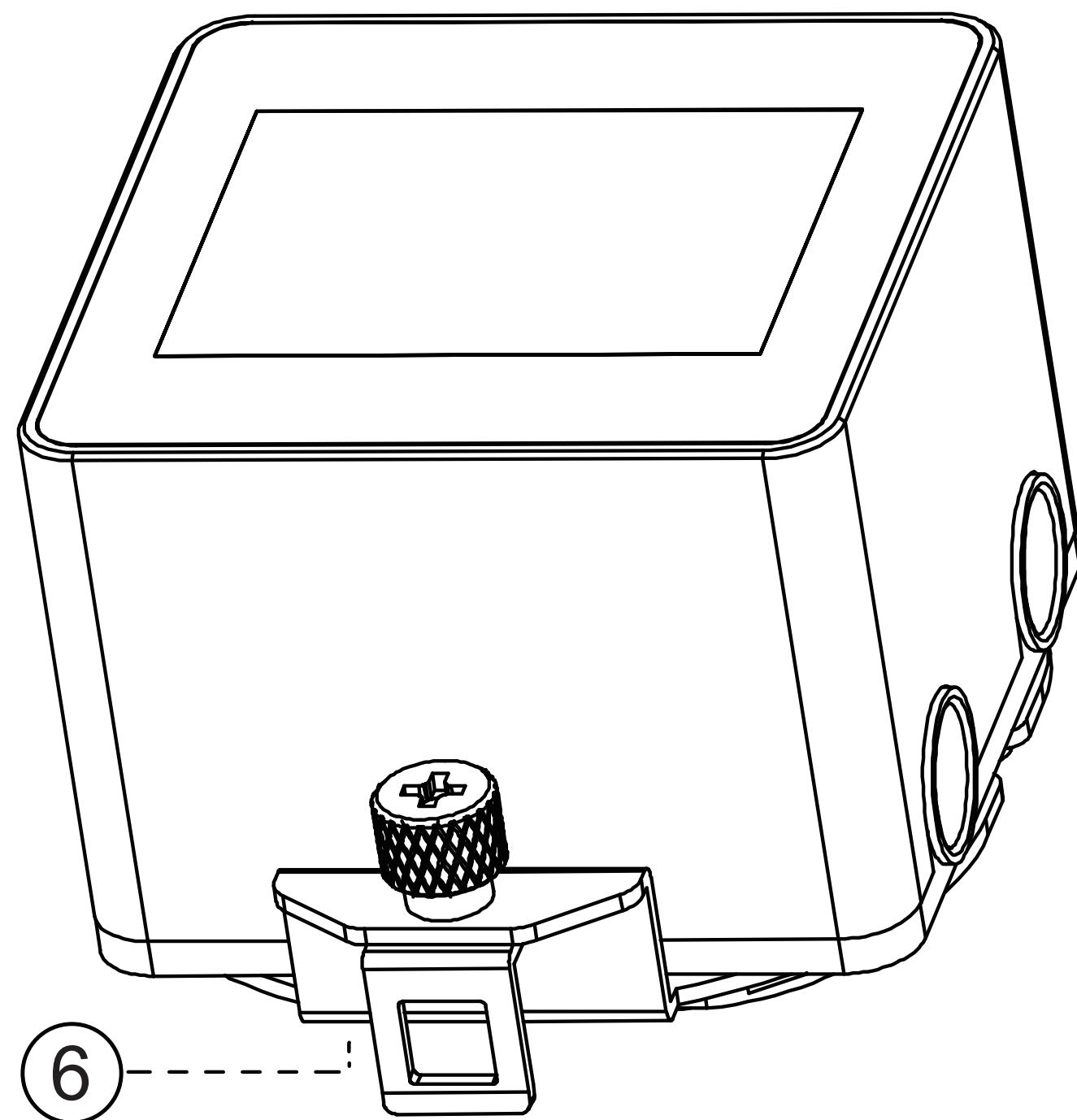
## 6 AMD motherboard



### Installation method:

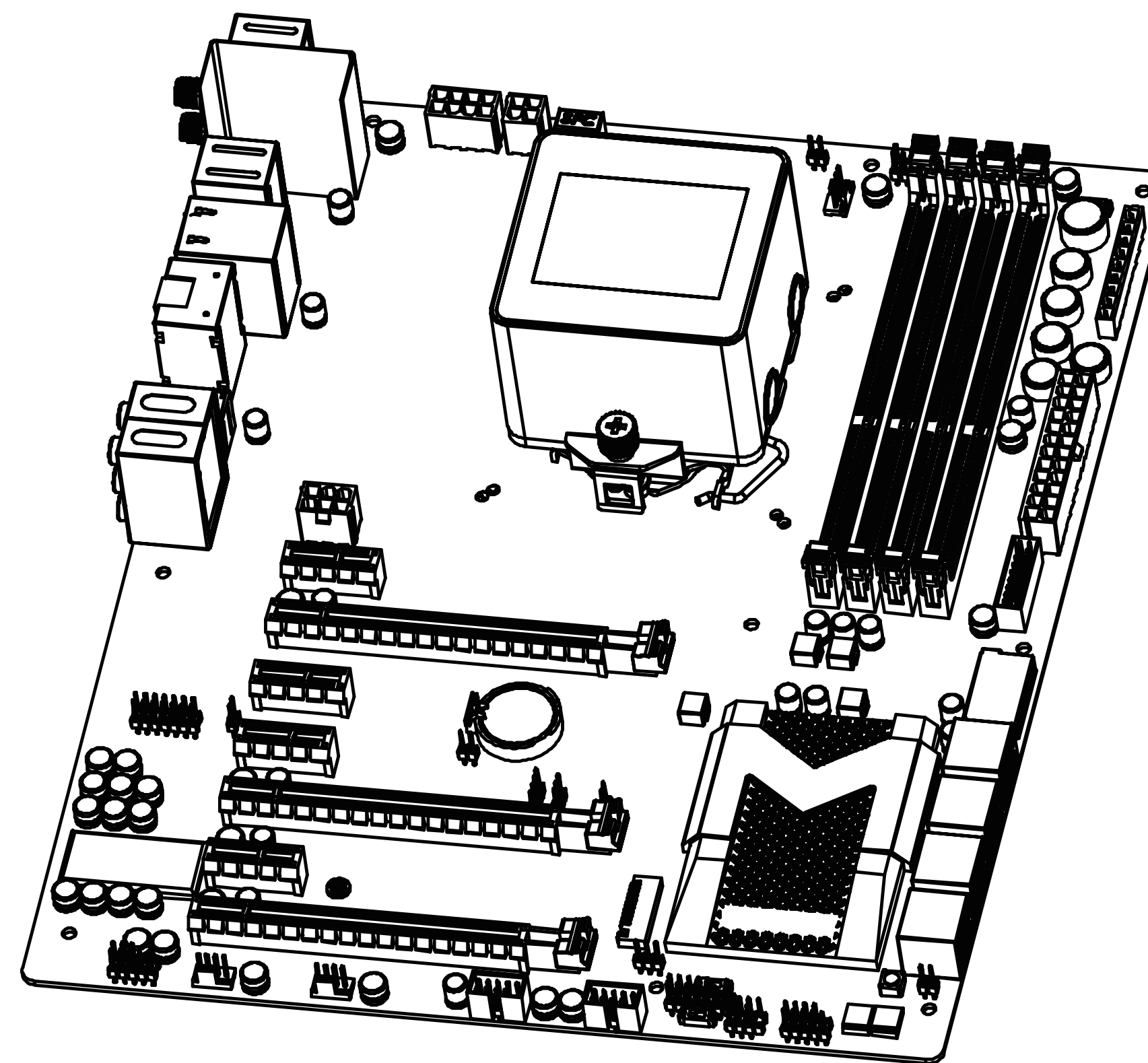
Align the mount plate with the hole on one side of the water block and push and fit the other end of the plate with the water block.

7



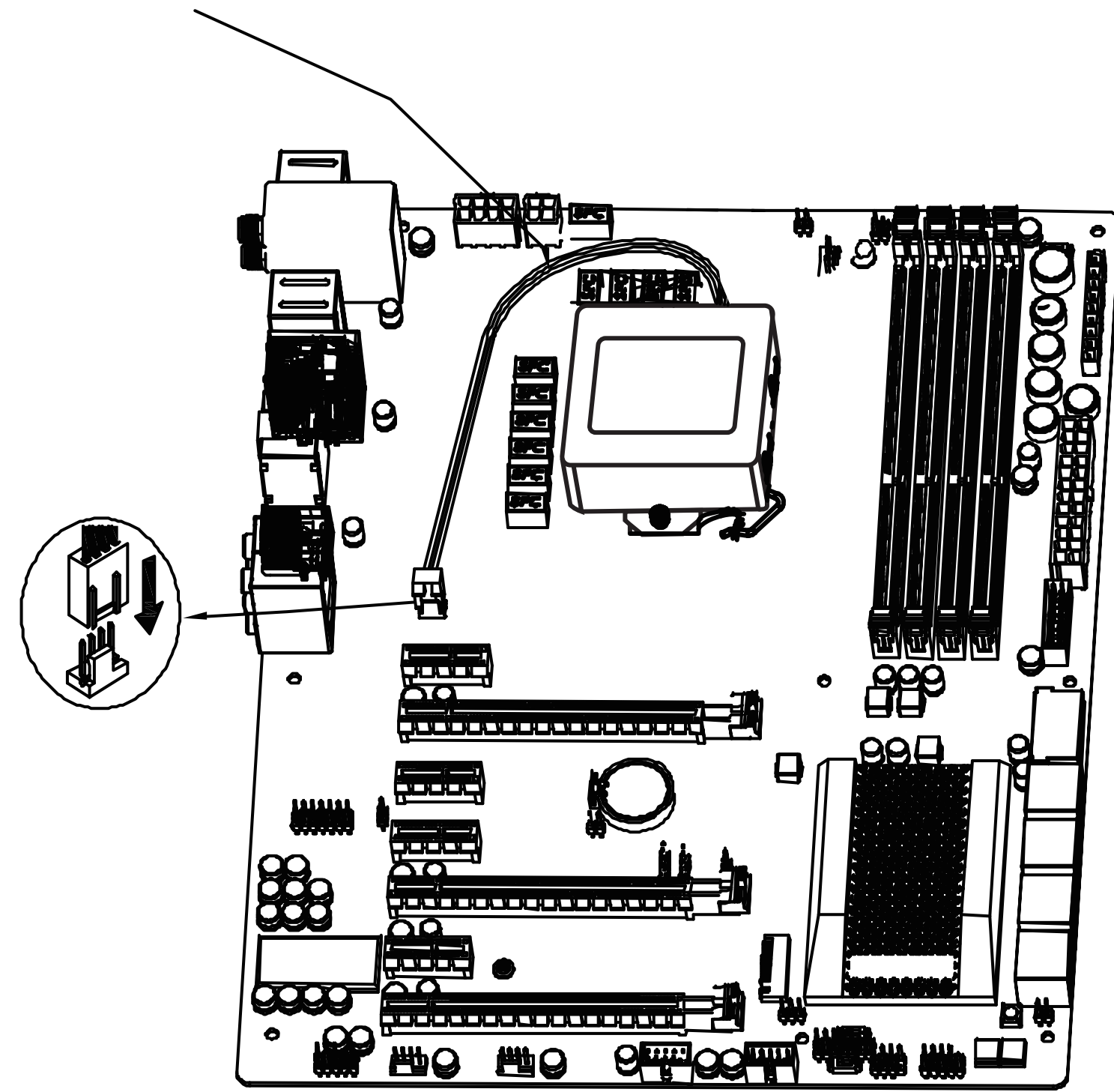
**Installation method:**  
**Put the AMD mount buckle adaptor and thumbscrews on the mount plate (untightened).**

**Installation method:**  
**Put AMD mount plates through the motherboard and screw them.**

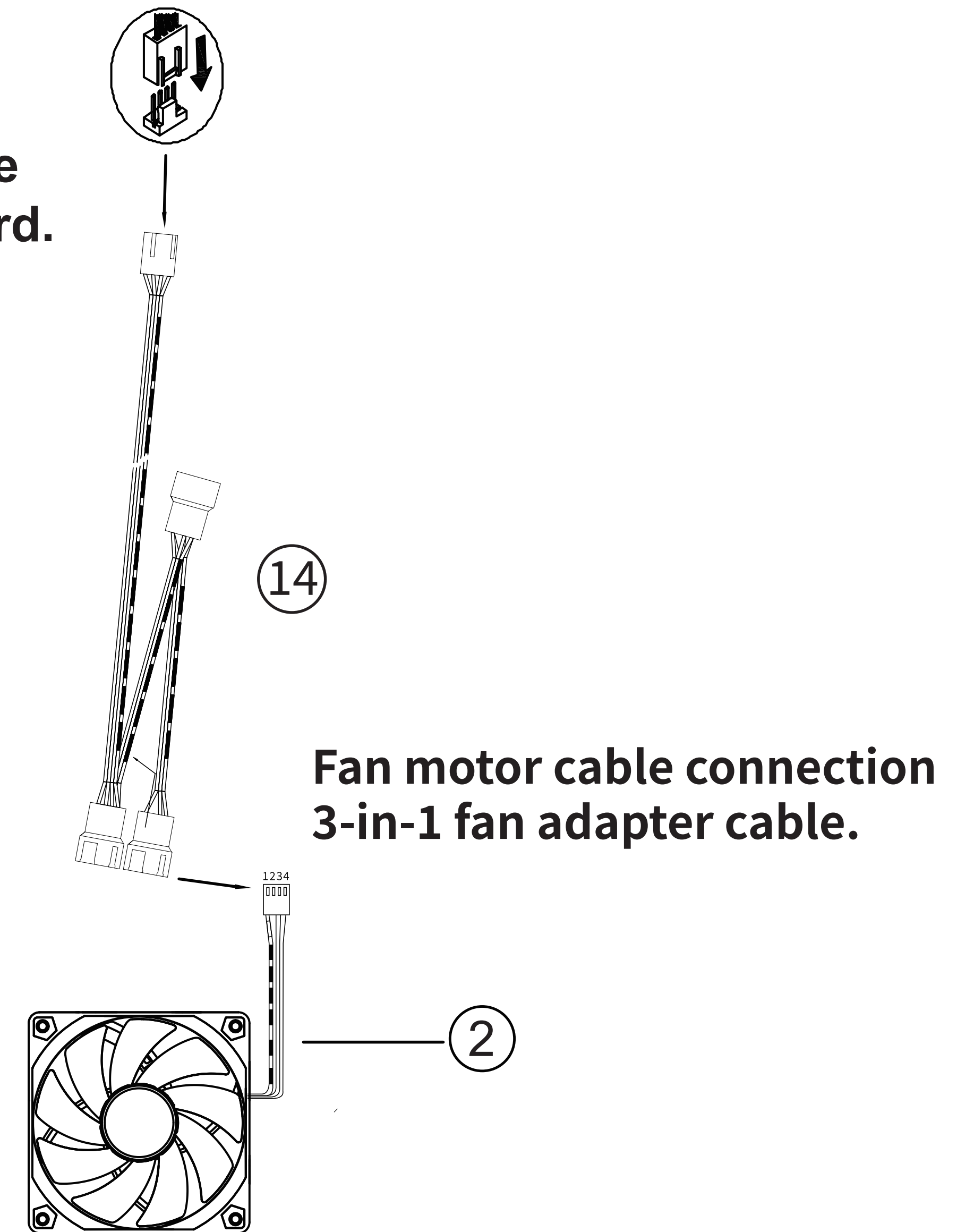


# 8 Motor Control Cable Connect Precess

Connect the water pump cable to the computer motherboard CPU FAN interface



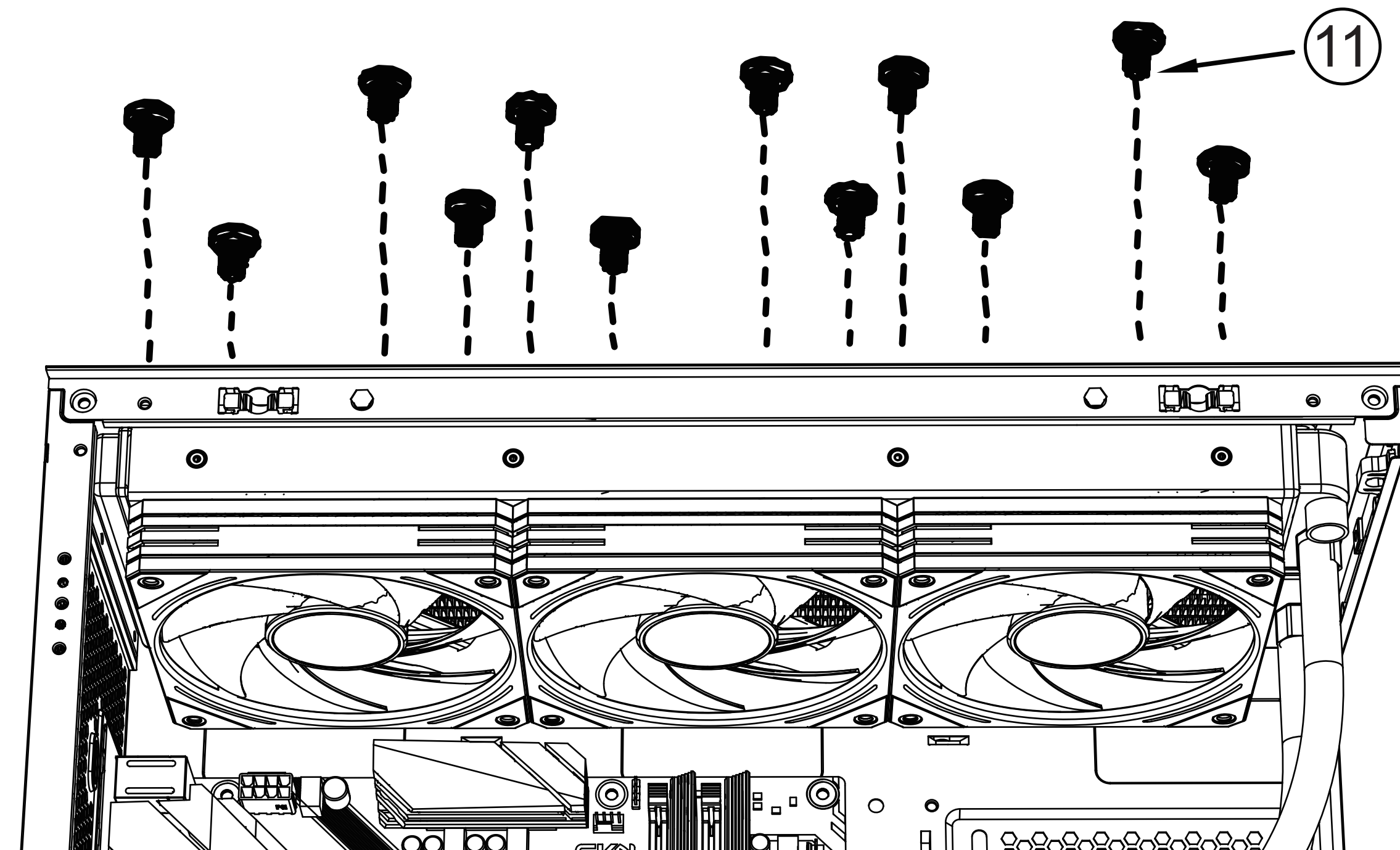
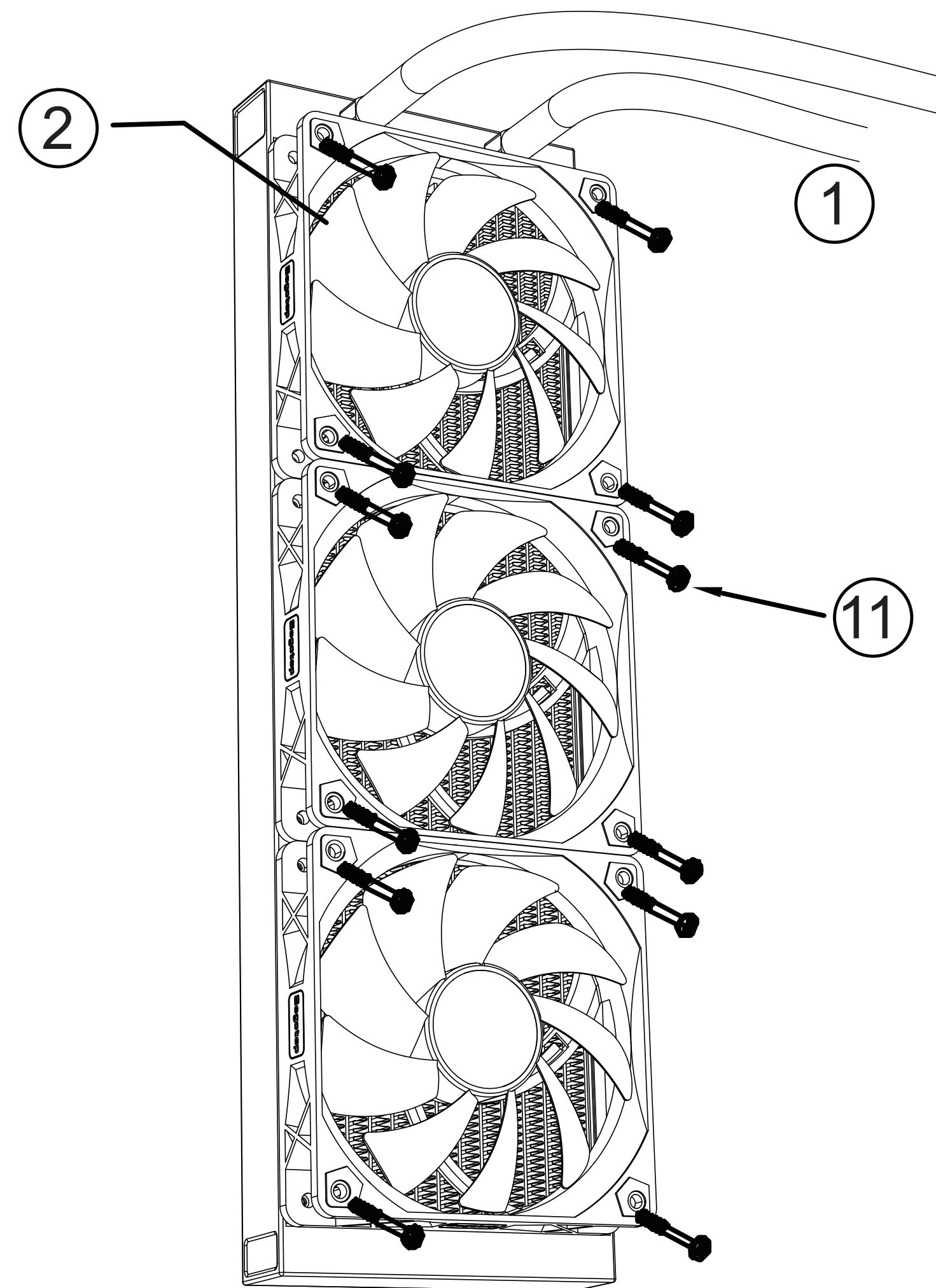
Connect to the SYS FAN interface of the motherboard.



## Motor installation instructions:

1. Connect the water-cooled heat sink to the CPU FAN interface on the motherboard.
2. Connect the 3 fans with the 4-pin adapter and connect the adapter to the SYS FAN interface of the motherboard

## 9 Intel&AMD motherboard



### Installation method:

1. Fix fans onto the radiator with fan screws (as shown in pic 1).
2. Fix the radiator into the computer case with screws (as shown in pic 2).



**TEMPEST**  
G A M I N G