



TEMPEST
G A M I N G

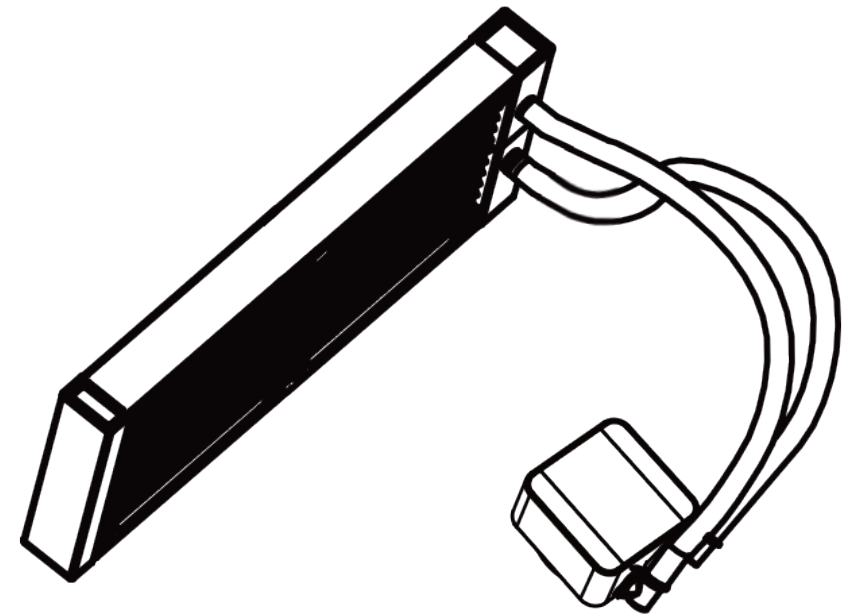


DARKEN 240

LIQUID COOLER

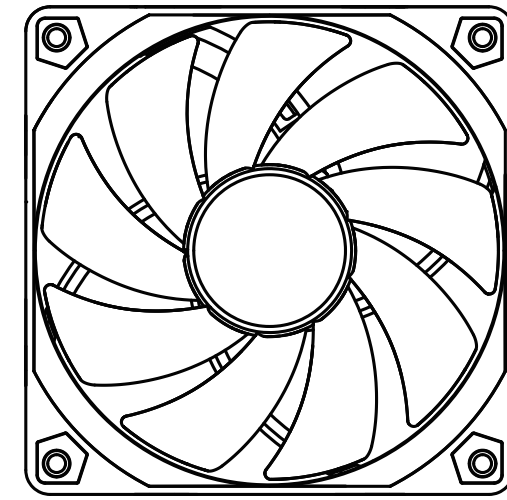
Package Content

①



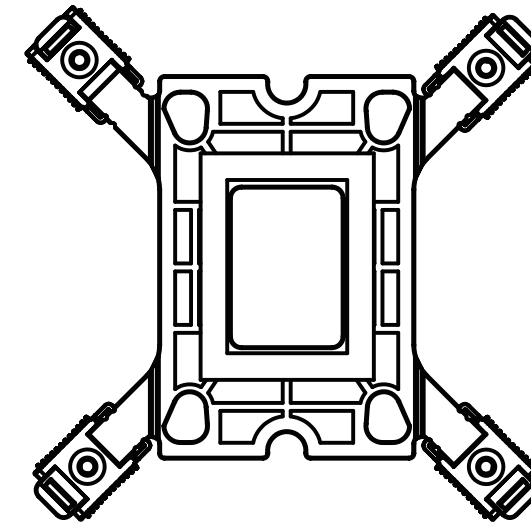
240 liquid cooler **X1**

②



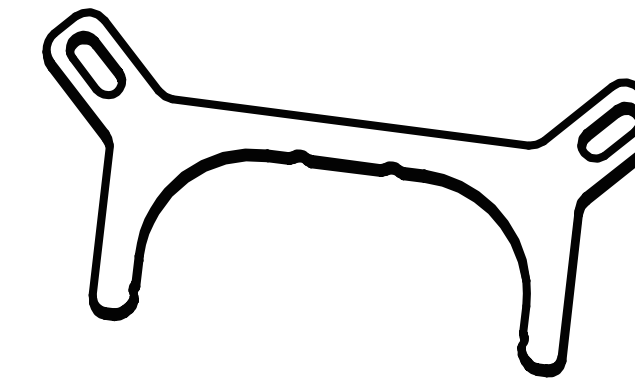
120mm fan **X2**

③



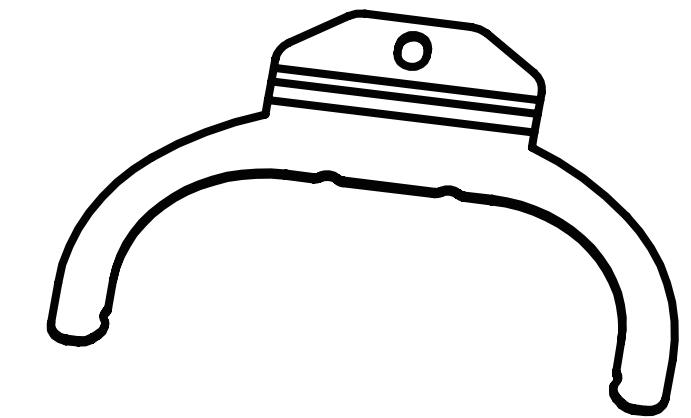
Intel 115X/17XX/1851
backplate **X1**

④



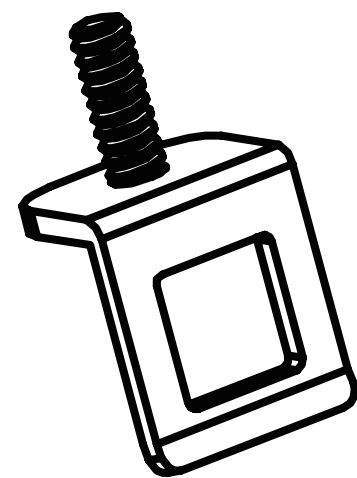
Intel mount plate **X2**

⑤



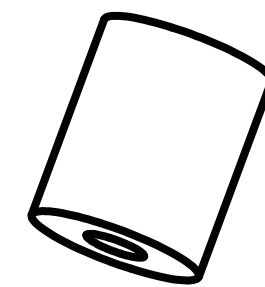
AMD mount plate **X2**

⑥



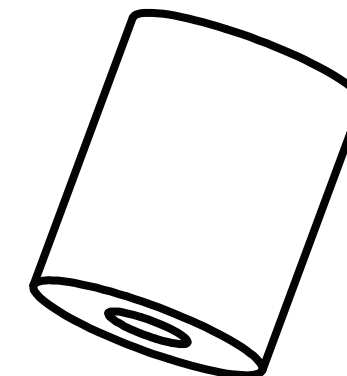
AMD mount
buckle adaptor **X2**

⑦



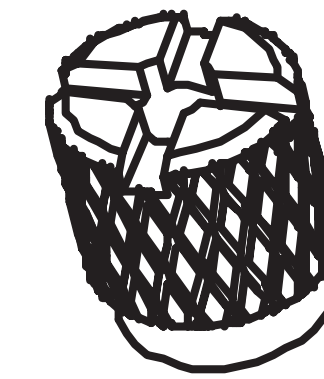
Intel 115X/1200
plastic sleeve **X4**

⑧



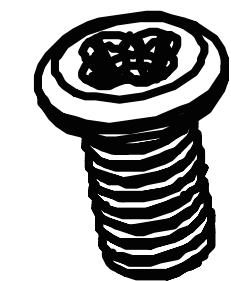
Intel 17XX/1851
plastic sleeve **X4**

⑨



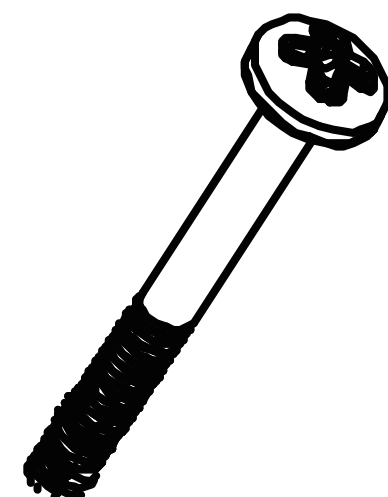
Thumbscrew **X4**

⑩



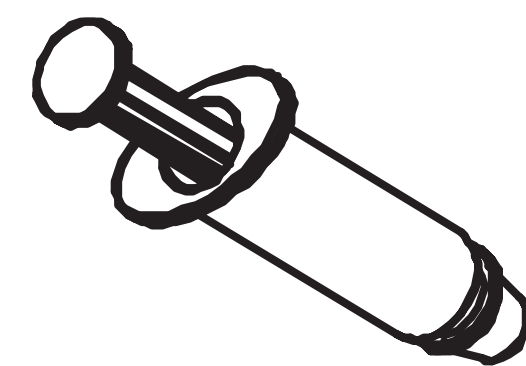
Radiator screw **X8**

⑪



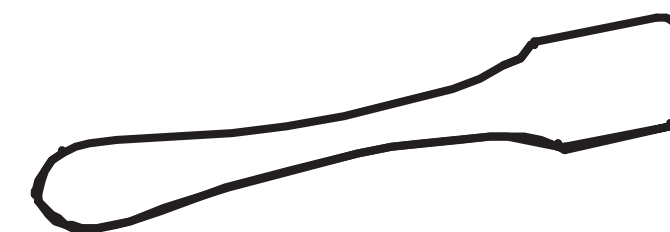
Fan rod **X8**

⑫



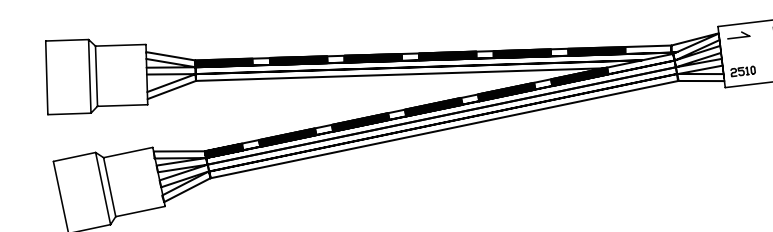
Thermal grease **X1**

⑬



Thermal grease
applicator **X1**

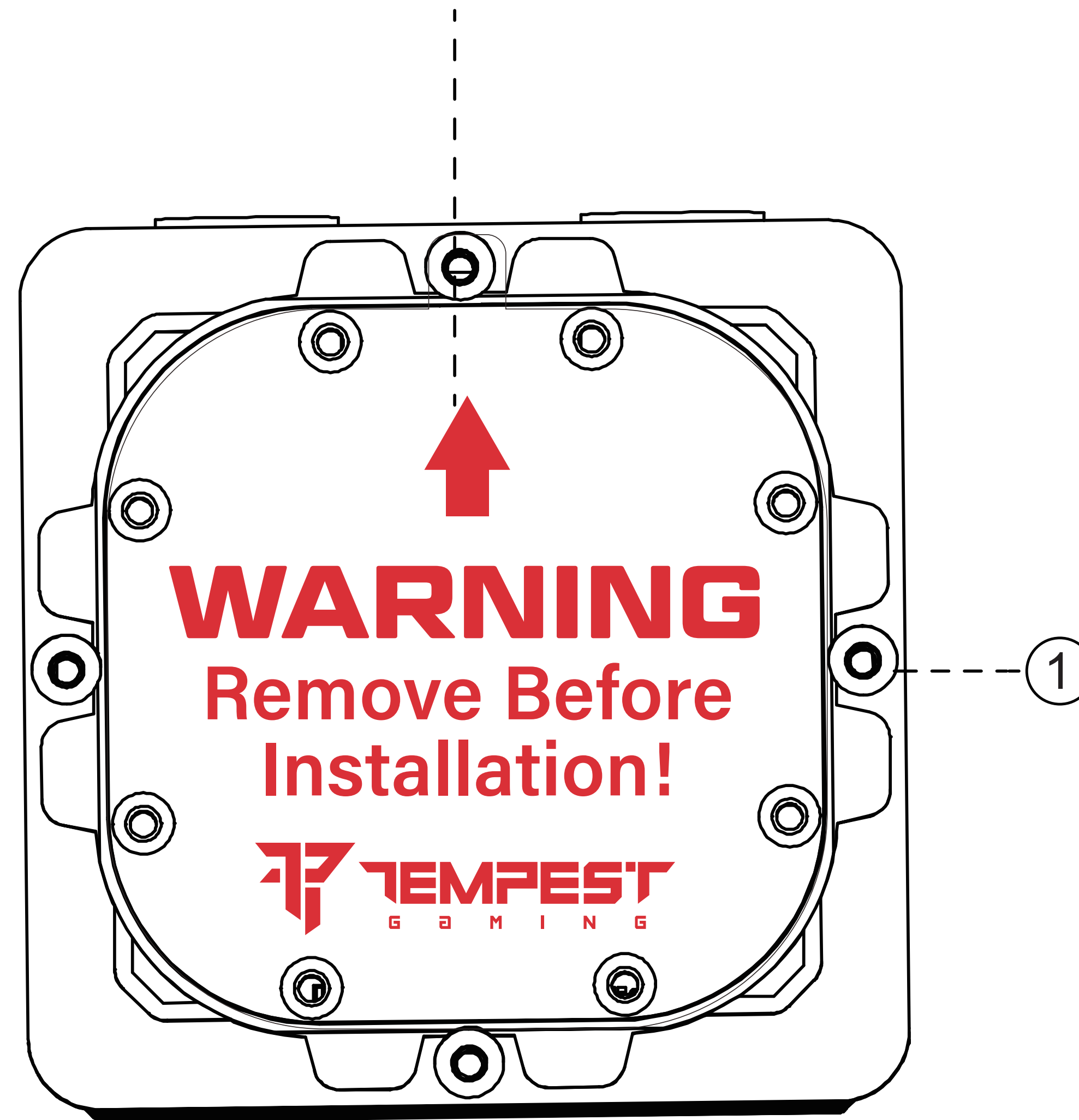
⑭



Fan adapter cable **X1**

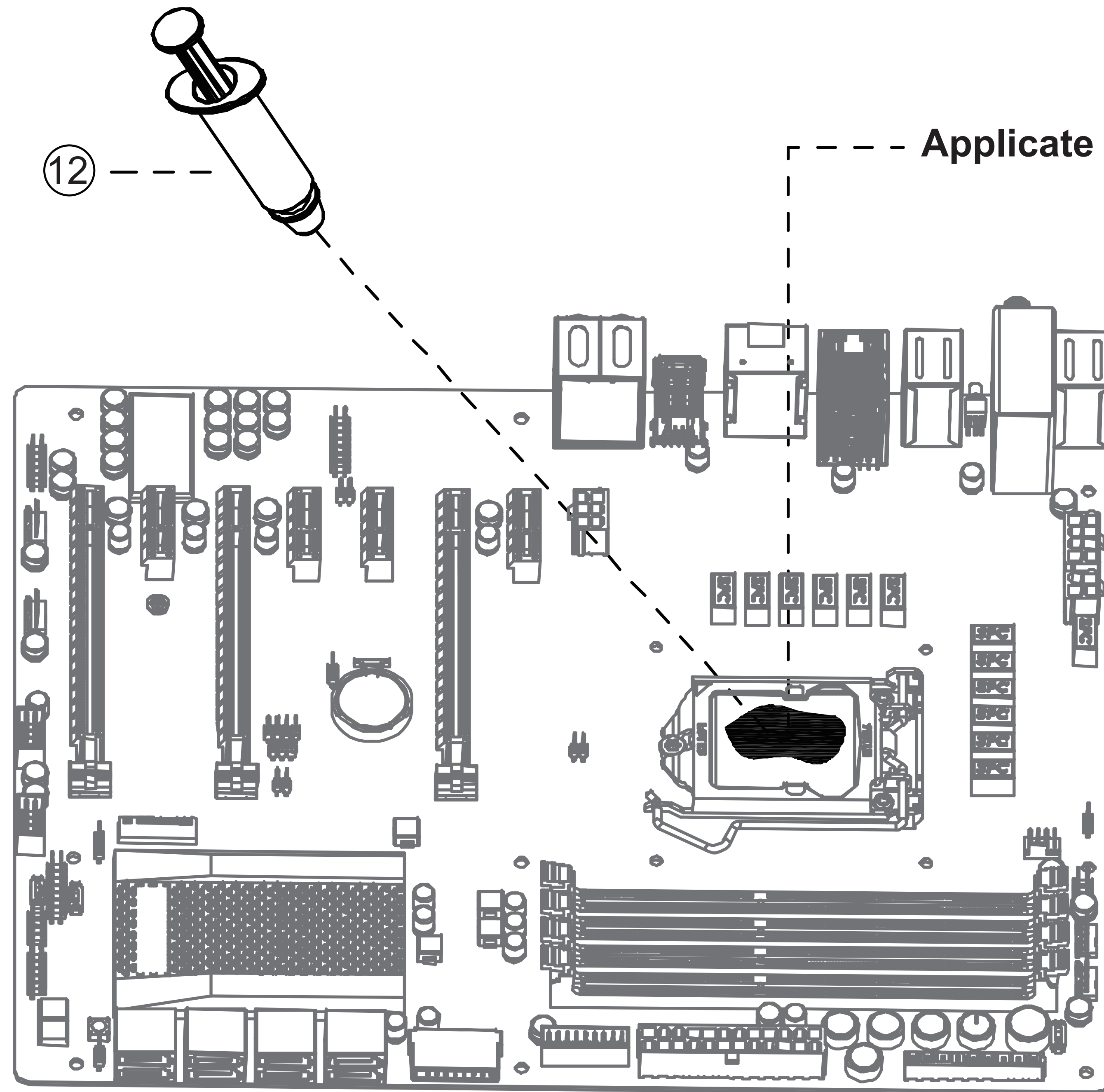
Warning!

Please remove the protective film on the copper base before installation.



Installation instructions:
Please remove the protective film on the
copper base before installation.

1 Intel/AMD motherboard

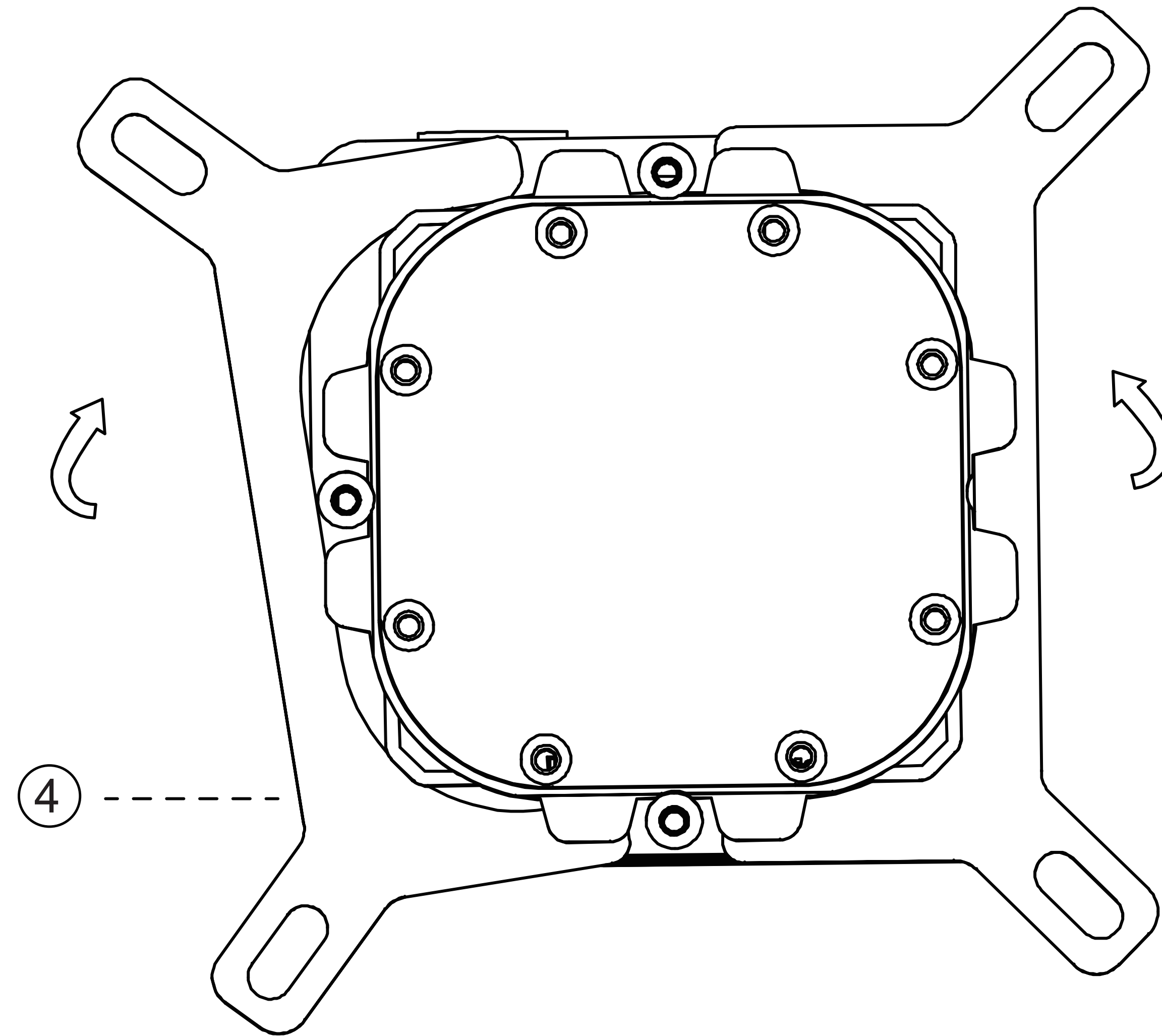


Apply thermal grease evenly on the CPU.

Installation method:

1. Apply some thermal grease on the CPU.
2. Spread the thermal grease evenly with the applicator.

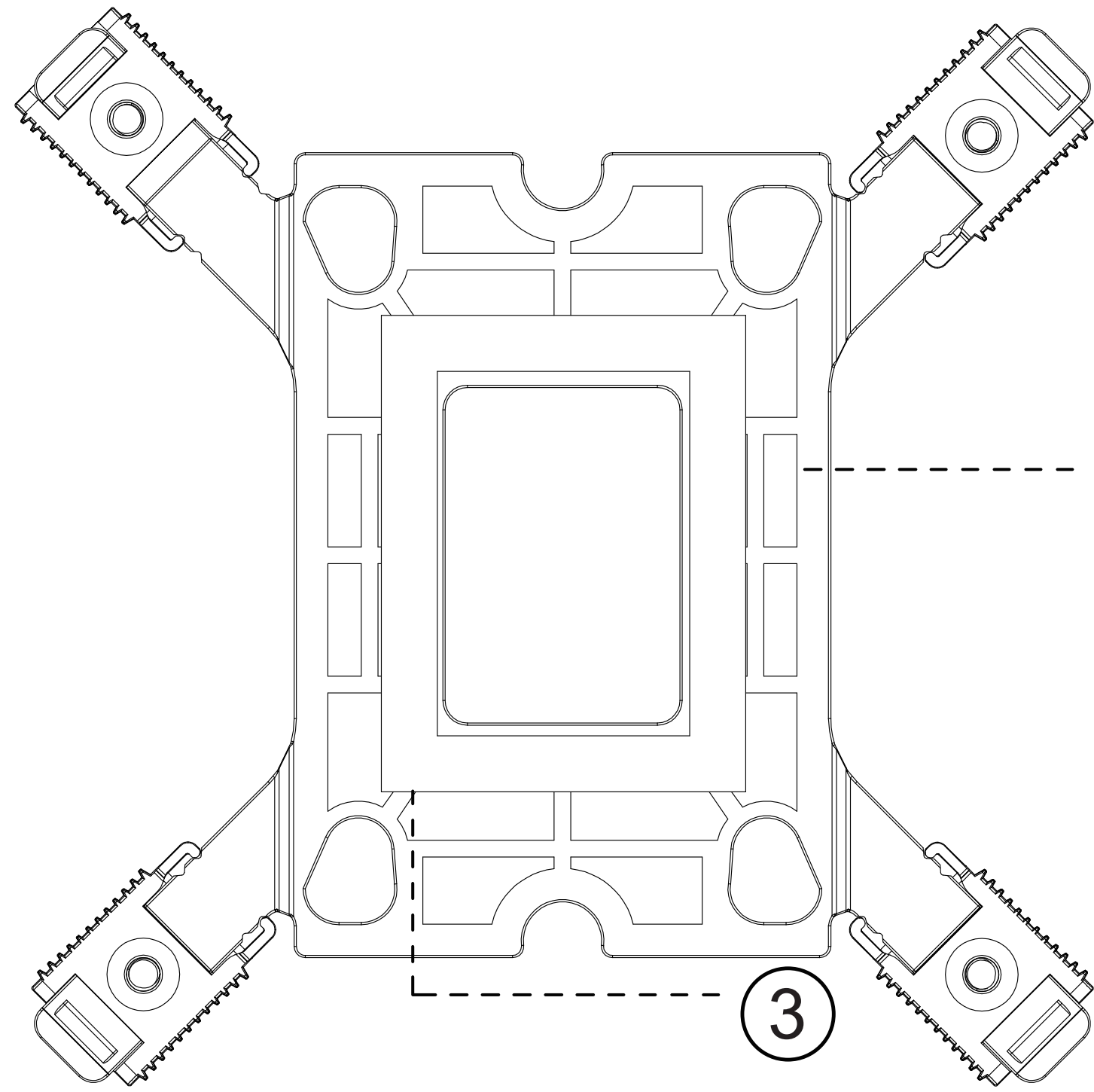
2 Intel motherboard



Installation method:

Align the mount plate with the hole on one side of the water block and push and fit the other end of the plate with the water block.

3 Intel 115X/1200/17XX/1851 motherboard



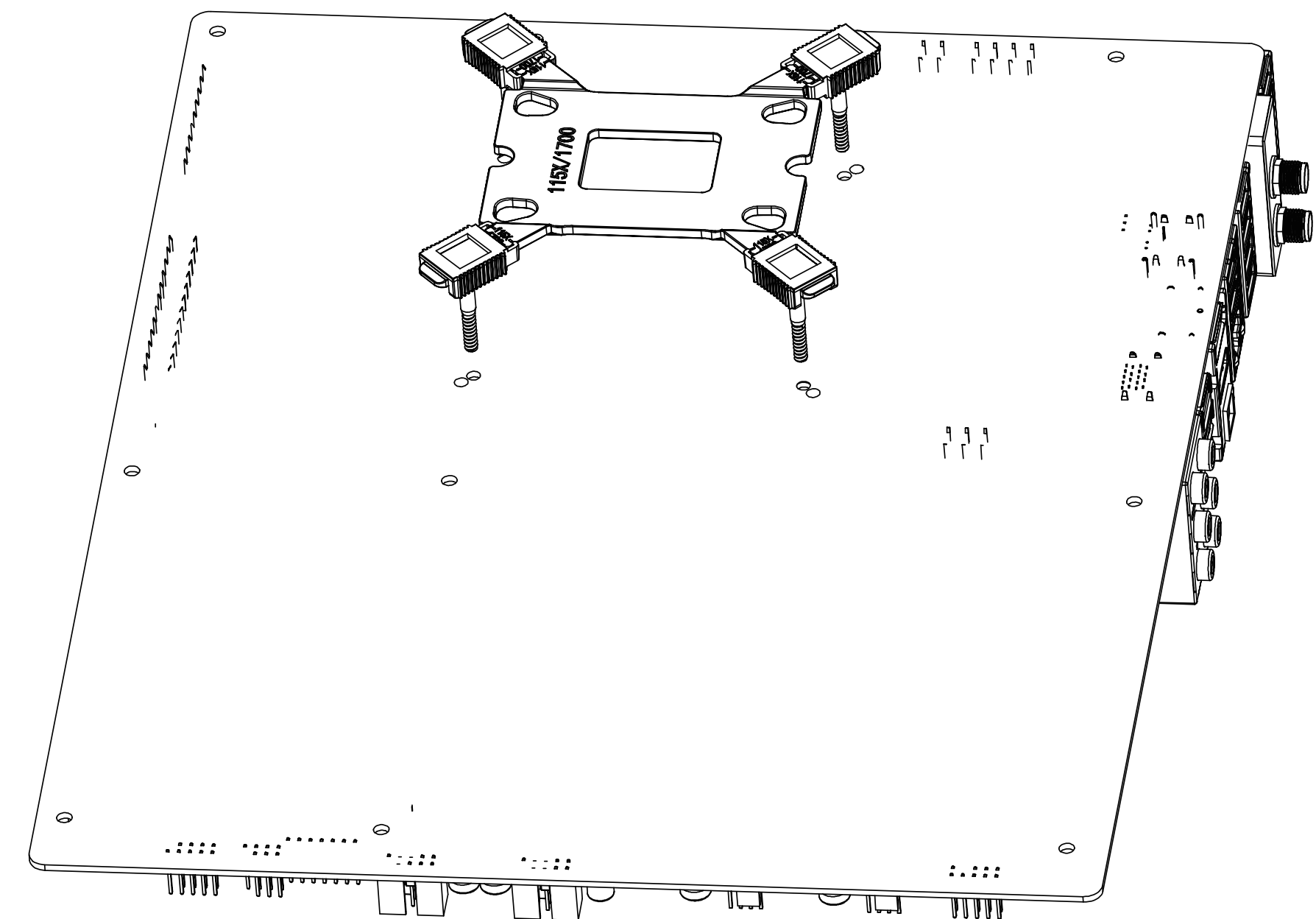
Remove the film on the backplate.

Installation method:
Remove the film on the backplate.

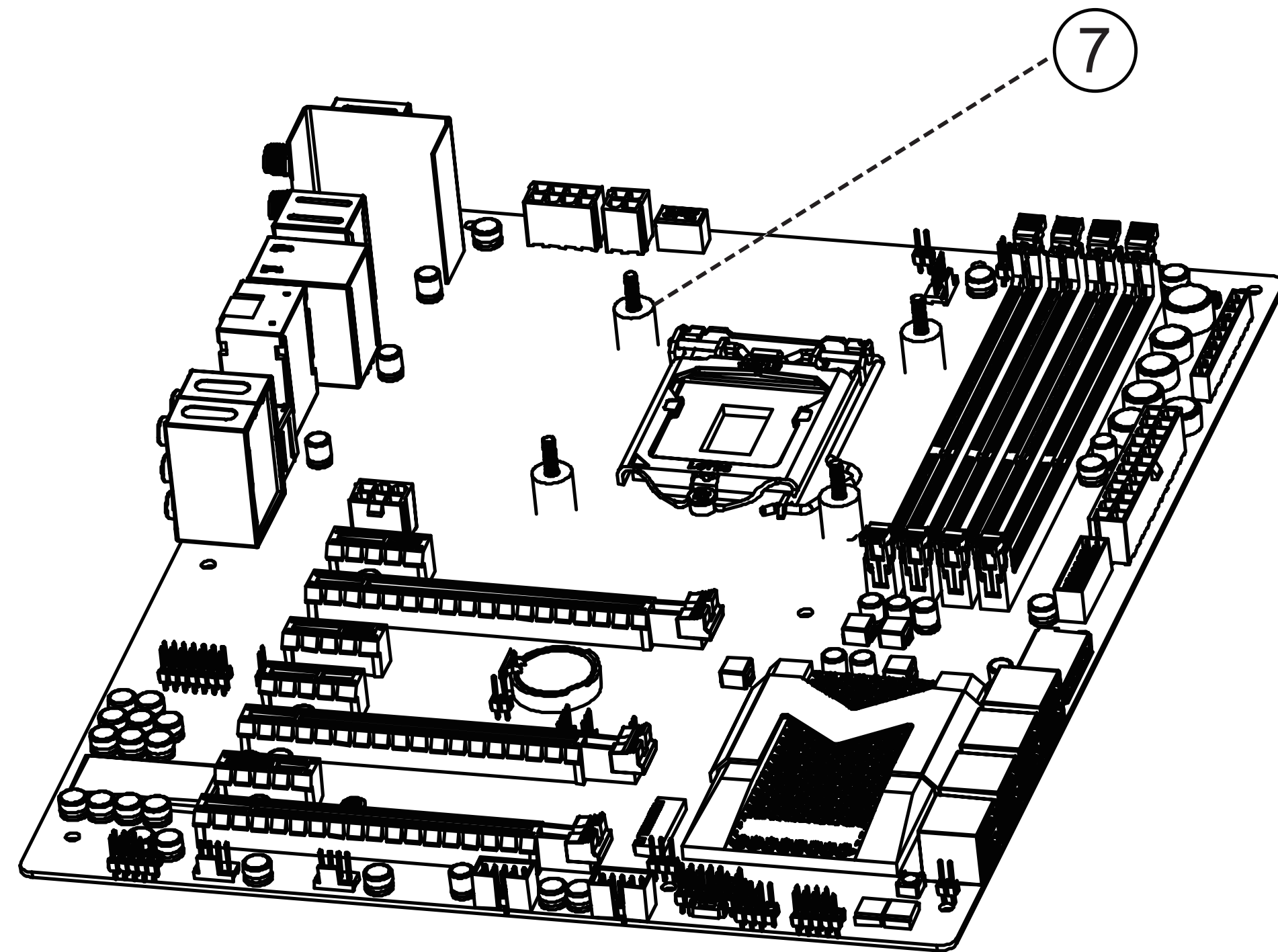
Installation method:

1. Align the rods with the holes in the motherboard.
2. Insert the rods through the holes for CPU fan.

LGA 1851 is the same as LGA 1700.



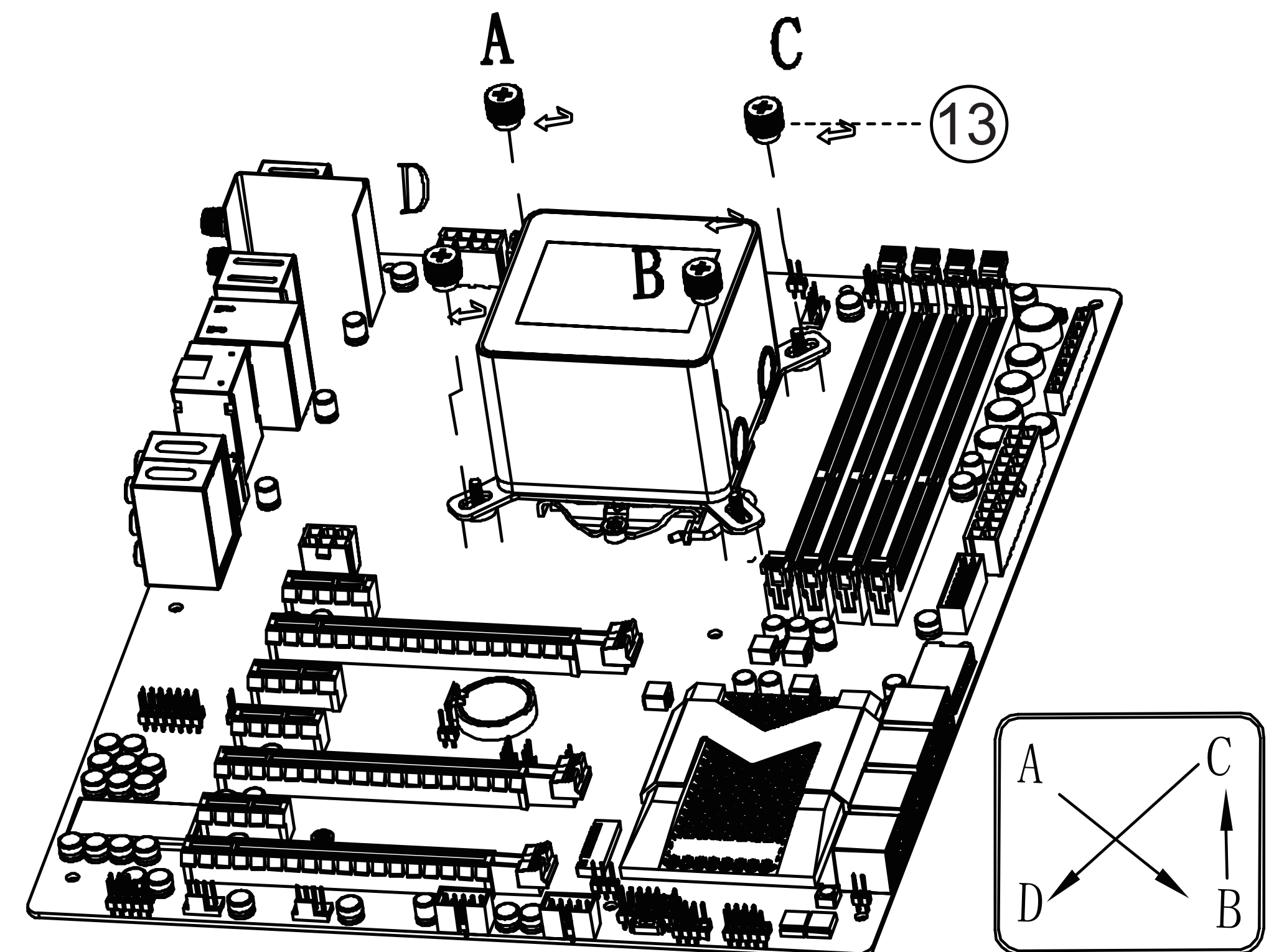
4 Intel 115X/1200 motherboard



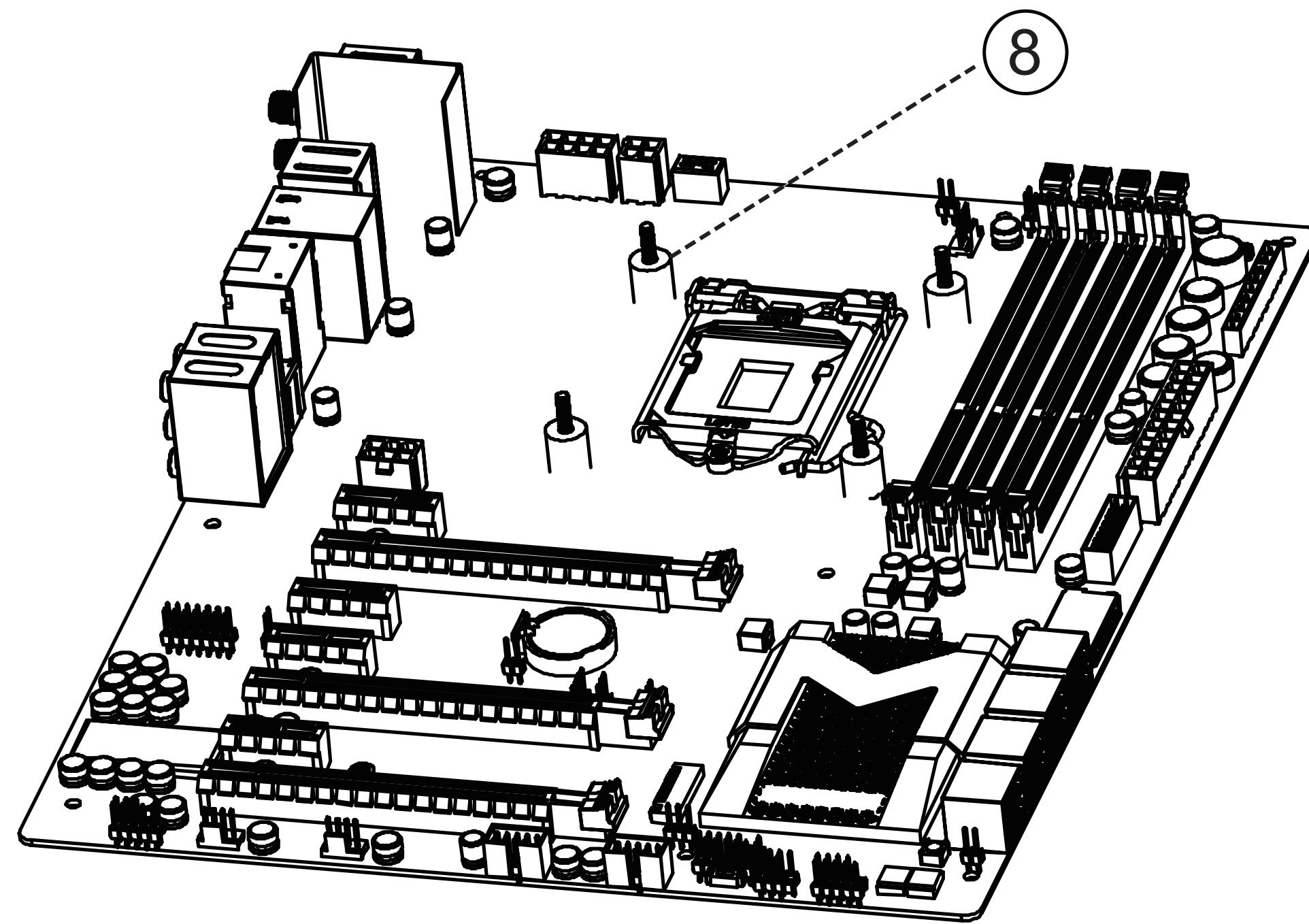
Installation method:
Put Intel 115X plastic sleeves onto the rods.

Installation method:

1. Put the water block on the CPU as picture shows.
2. Tighten the water block with 4 thumbscrews in A-B-C-D sequence as picture shows.



5 Intel 17XX/1851 motherboard

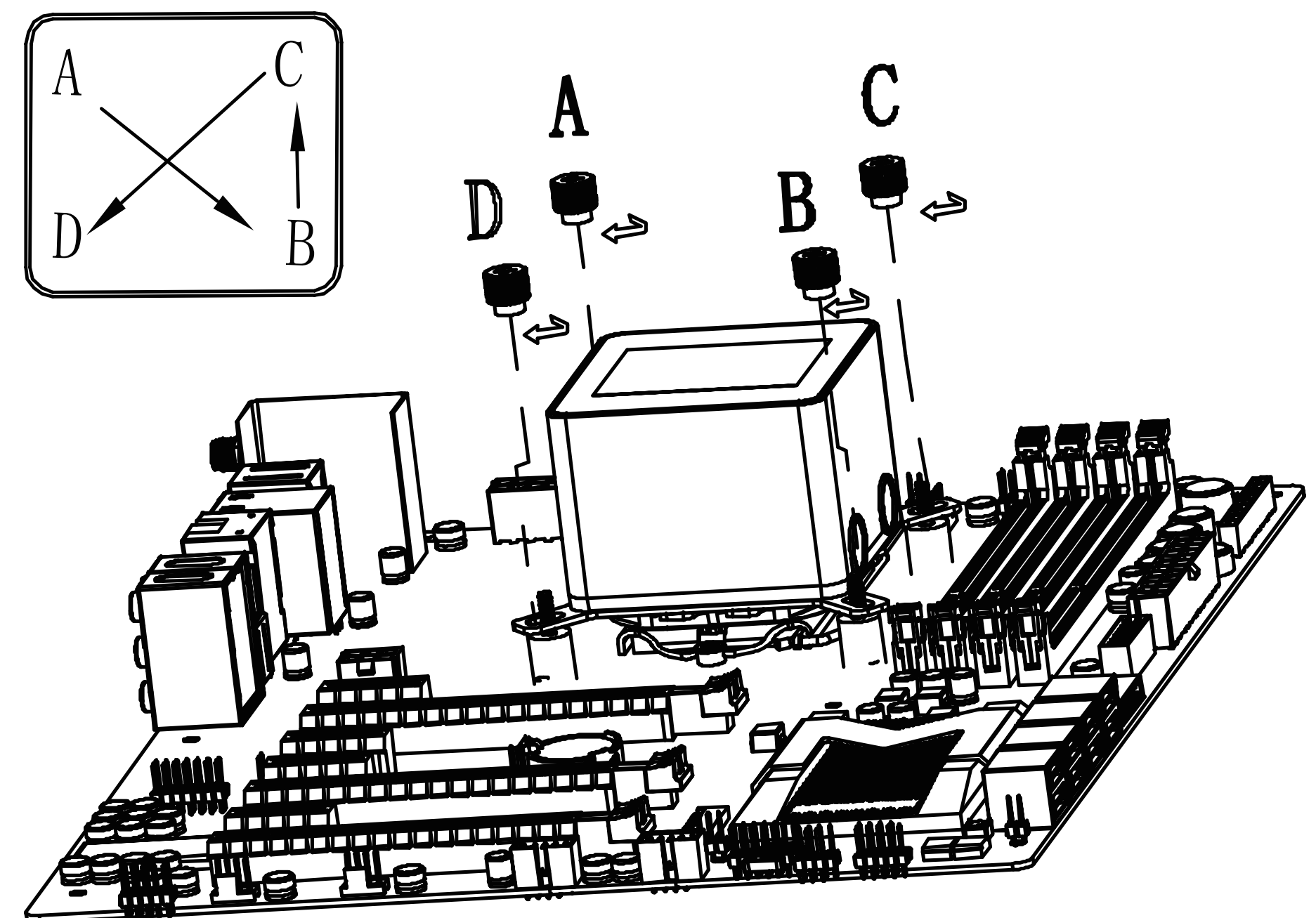


Installation method:
Put Intel 17XX/1851 plastic sleeves onto the rods.

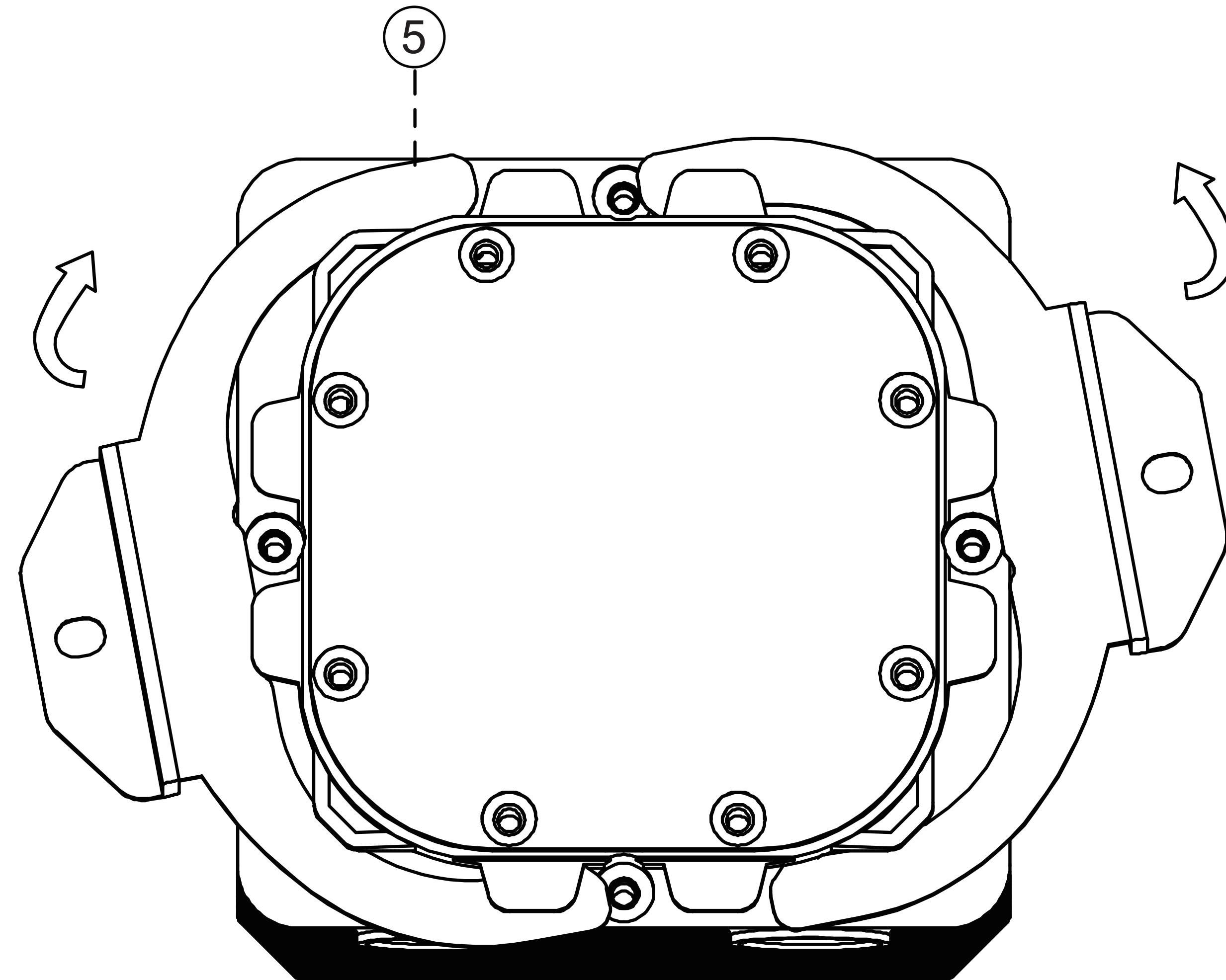
Installation method:

1. Put the water block on the CPU as picture shows.
2. Tighten the water block with 4 thumbscrews in A-B-C-D sequence as picture shows.

LGA 1851 is the same as LGA 1700 .



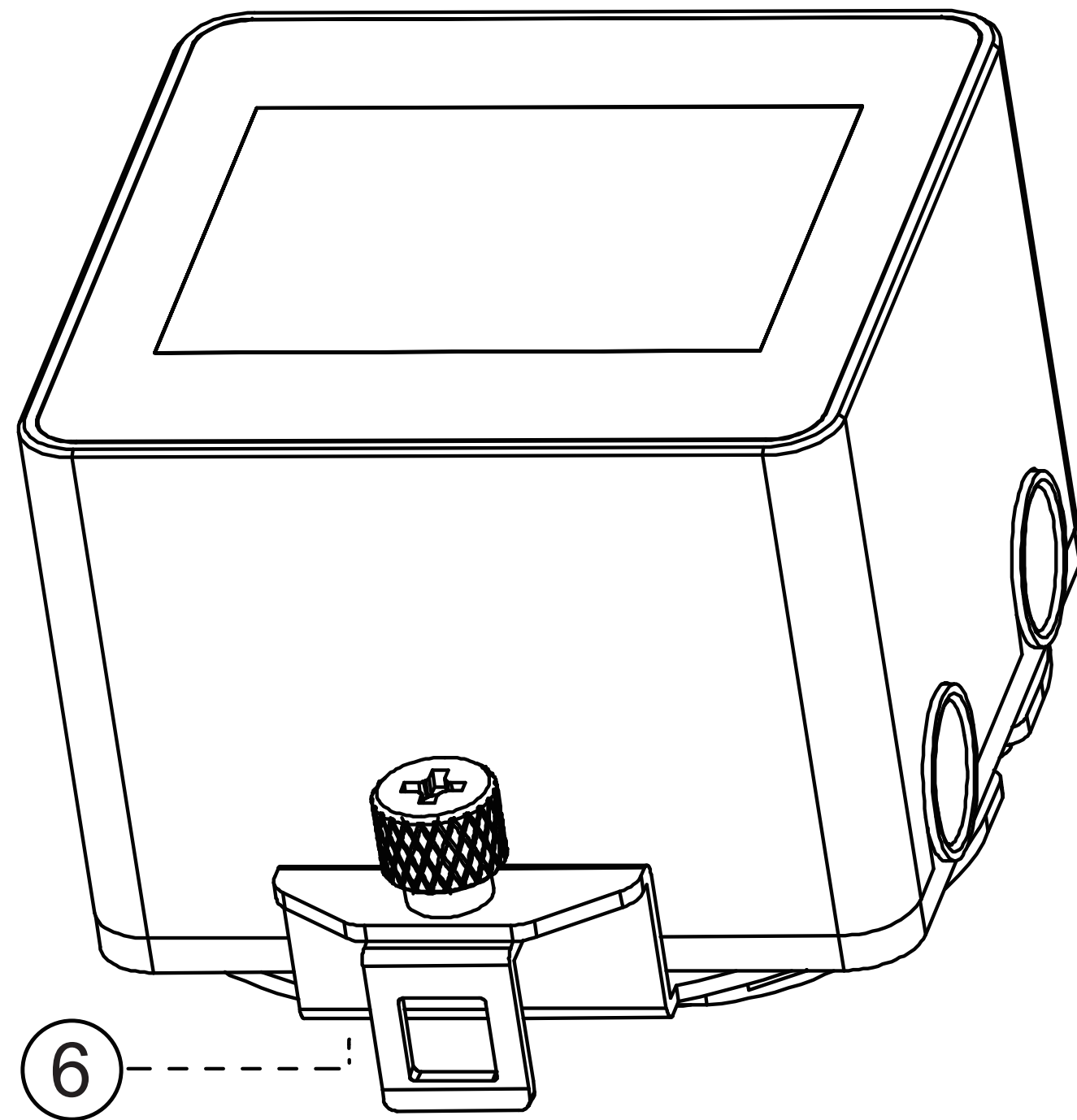
6 AMD motherboard



Installation method:

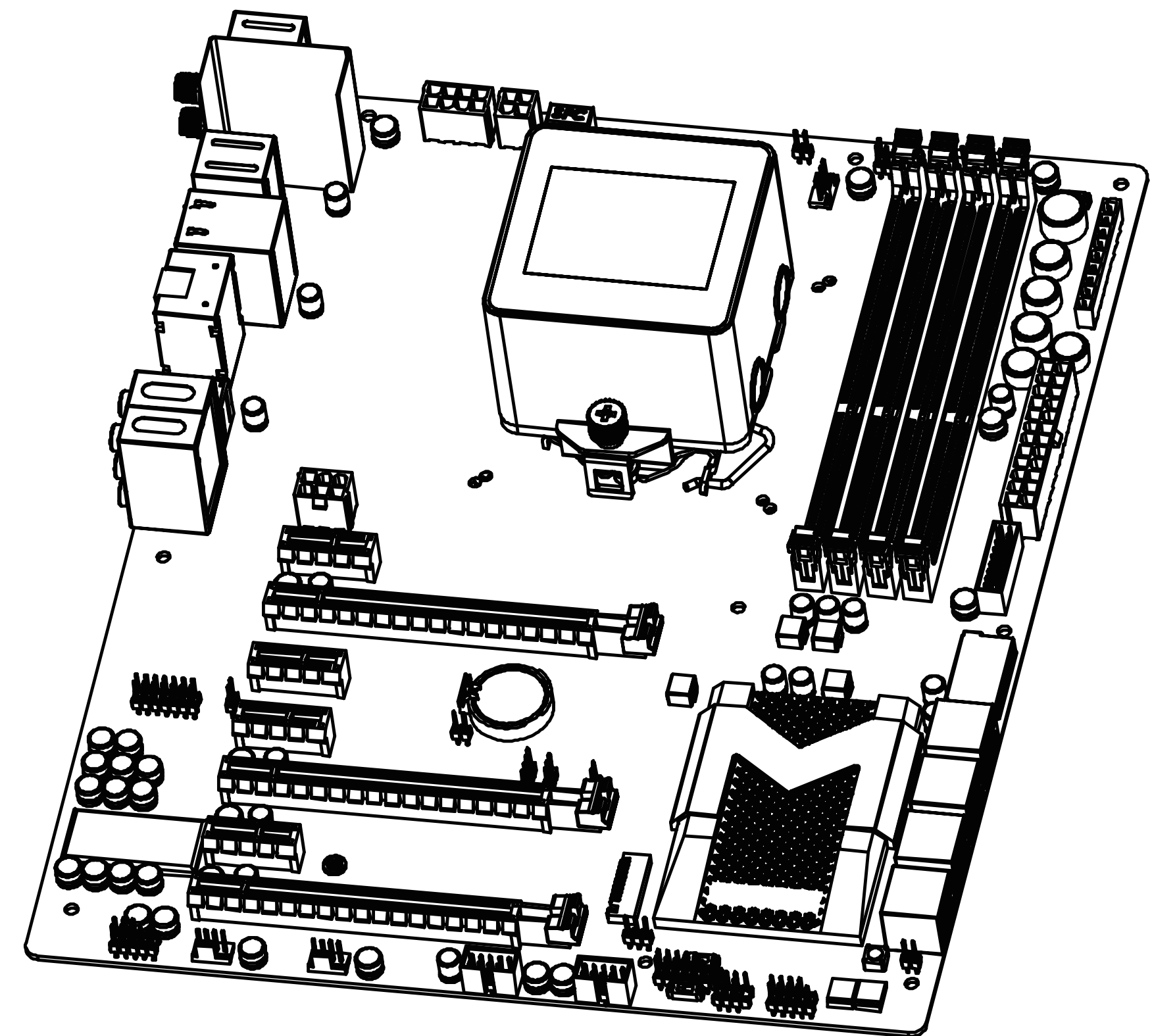
Align the mount plate with the hole on one side of the water block and push and fit the other end of the plate with the water block.

7



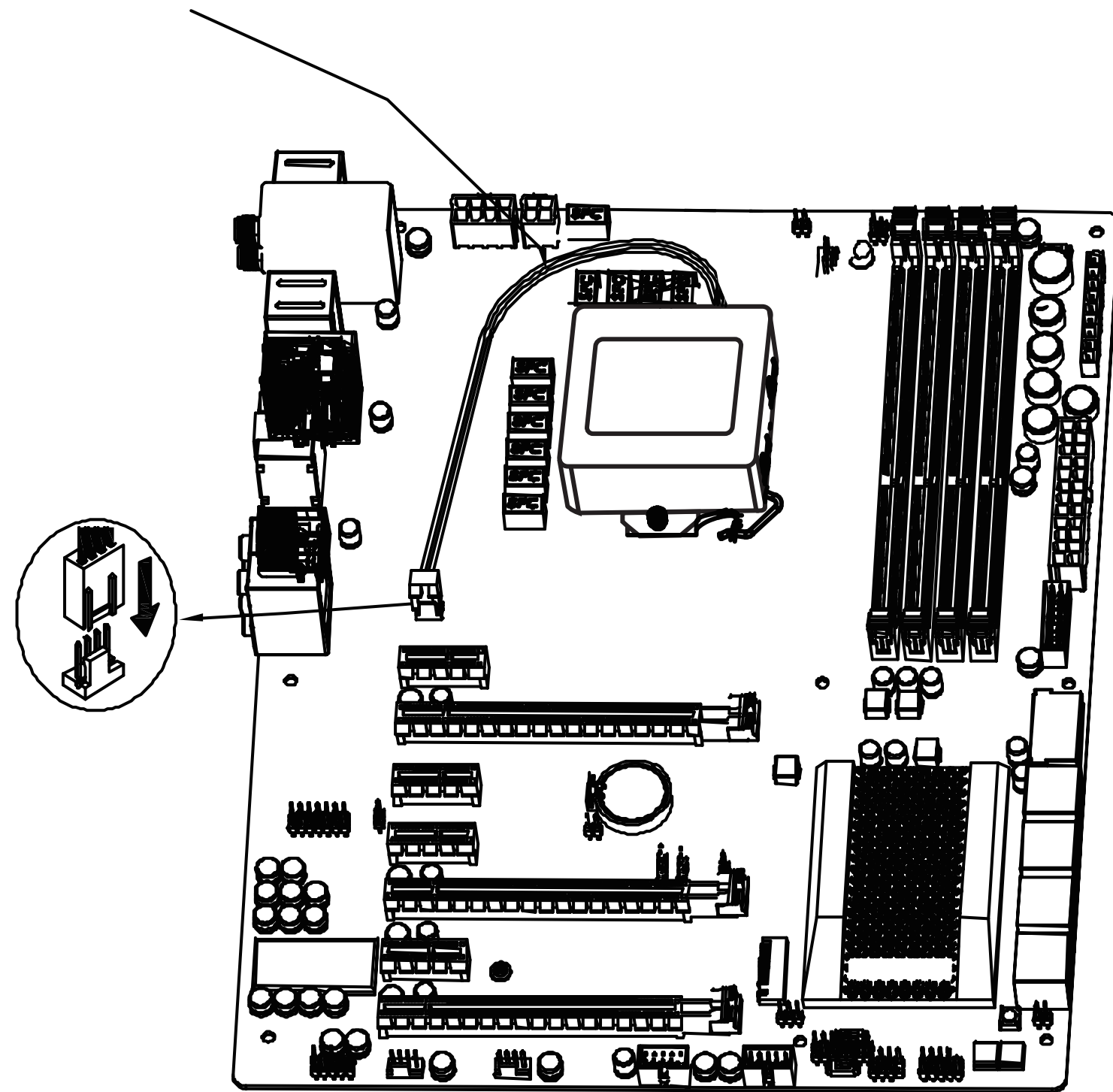
Installation method:
Put the AMD mount buckle adaptor and thumbscrews on the mount plate (untightened).

Installation method:
Put AMD mount plates through the motherboard and screw them.

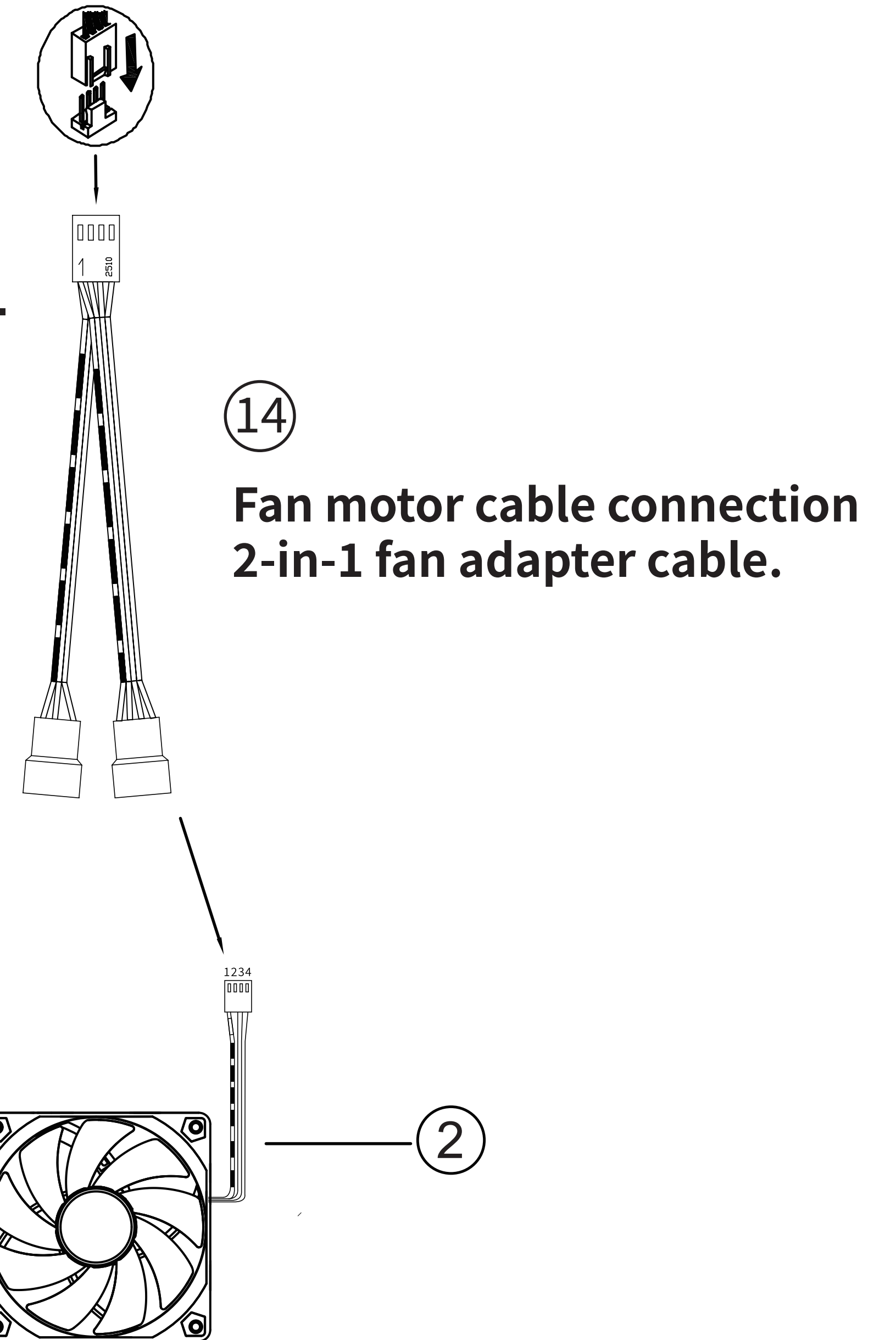


8 Motor Control Cable Connect Precess

Connect the water pump
cable to the computer
motherboard
CPU FAN interface



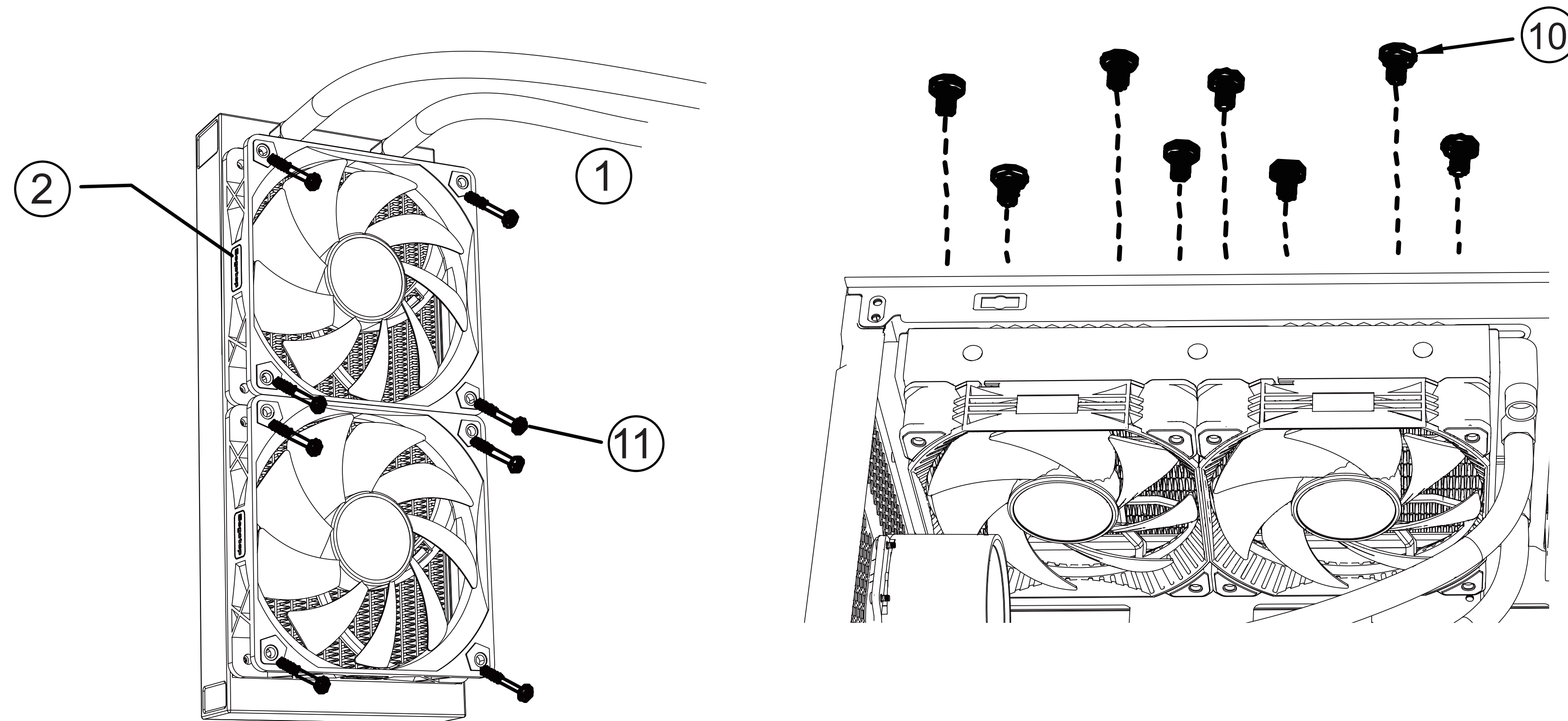
Connect to the
SYS FAN interface
of the motherboard.



Motor installation instructions:

1. Connect the water-cooled heat sink to the CPU FAN interface on the motherboard.
2. Connect the 2 fans with the 4-pin adapter and connect the adapter to the SYS FAN interface of the motherboard.

9 Intel&AMD motherboard



Installation method:

- 1. Fix fans onto the radiator with fan screws (as shown in pic 1).**
- 2. Fix the radiator into the computer case with screws (as shown in pic 2).**



TEMPEST
G A M I N G