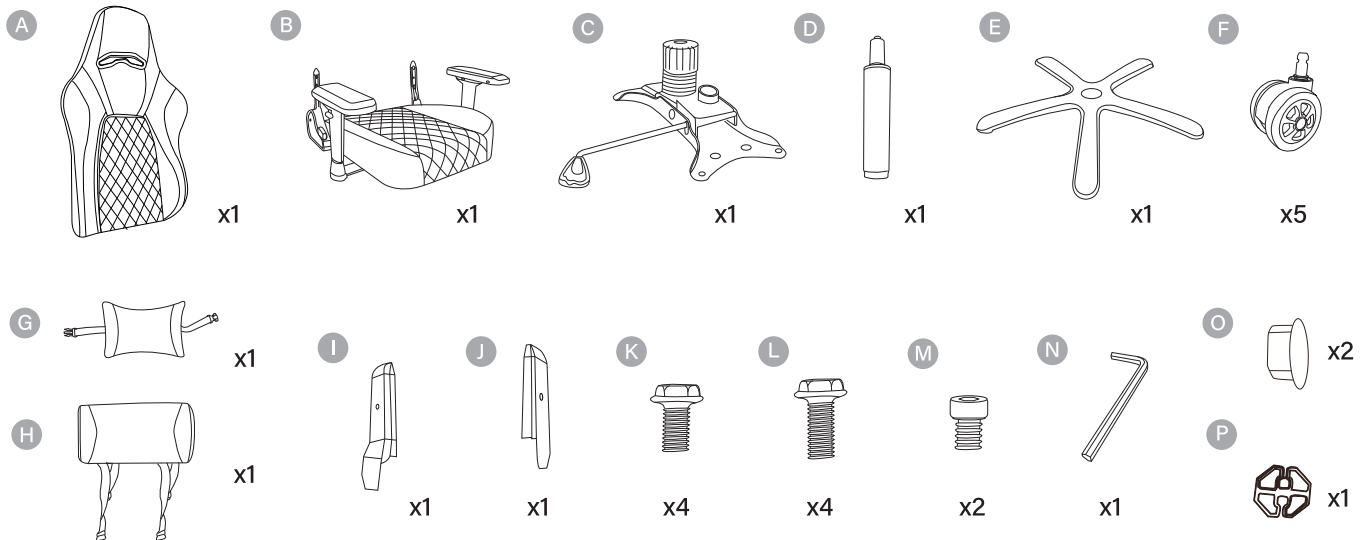


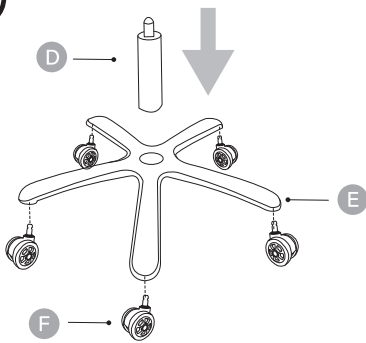
**ASSEMBLY INSTRUCTIONS**

**COMPONENTS**

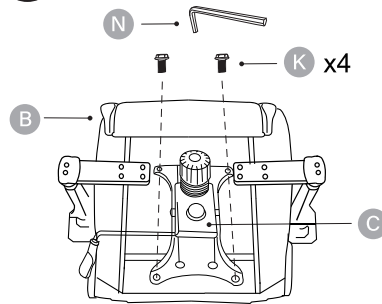


**MOUNTING STEPS**

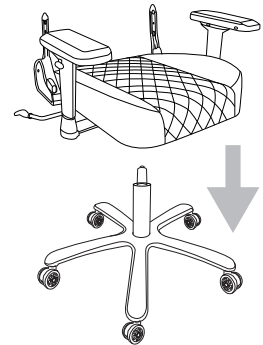
1



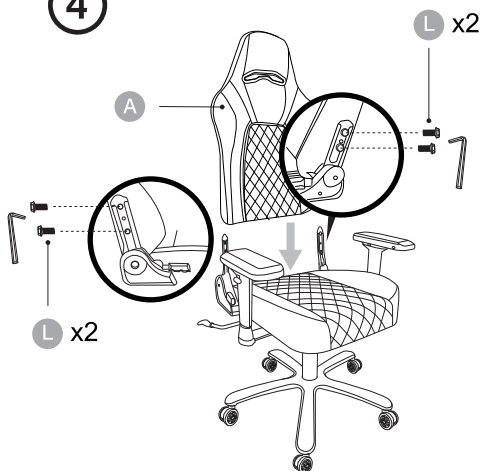
2



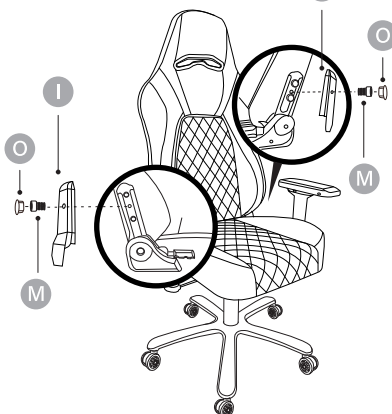
3



4



5



6

