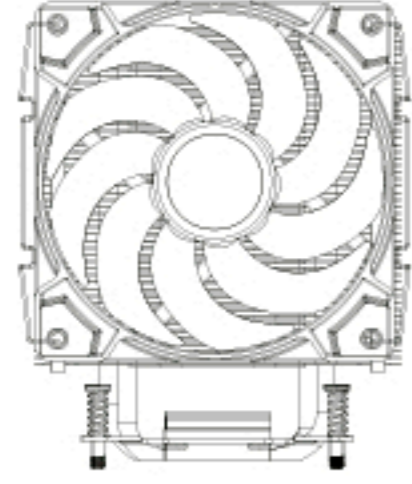


FOR 4 PIPES MODEL



PRO COOLER 120MMx2

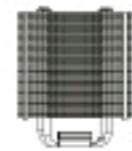







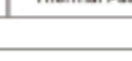
4PIPES BLACK ARGB COOLER WITH 120X2 FANS

USER MANUAL


INTEL PLATFORM
1151/ 1155 / 1156 / 1200 / 1366 / 1700 / 2011 / 2066 (Core i3 / i5 / i7 / i9 CPU)

AMD PLATFORM
AM4 / FM2 / FM1 / AM3+ / AM3 / AM2+ / AM2 CPU

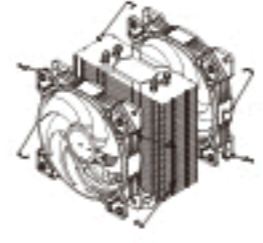
INTEL

 CPU COOLER	 FAN	 FAN Unting Clip	 Mounting Bracket
 INTEL Cooler	 INTEL Cooler	 AMD Cooler	 Fix Buckle Screw
 Thermal Paste			

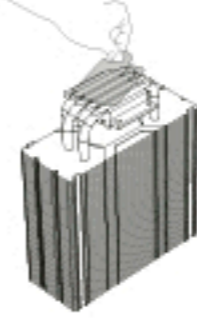
Step 1: Use the original backplate attached to motherboard with adjustable mounting mechanism.



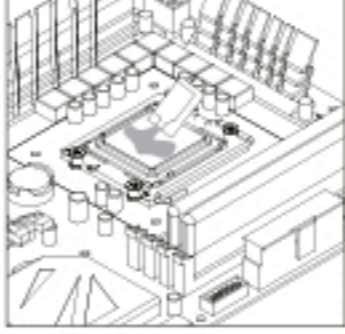
Step 2: Take out the fan.



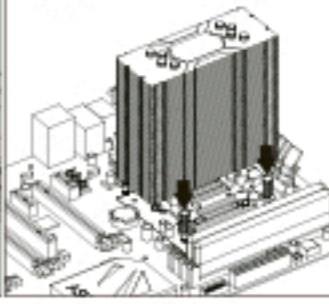
Step 3: Tear out coating



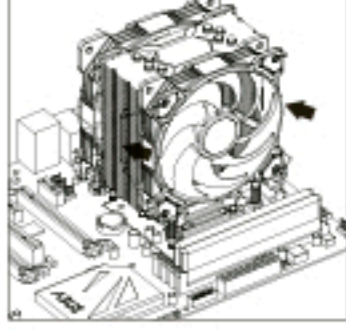
Step 4: Install processor and coming with proper thermal paste.



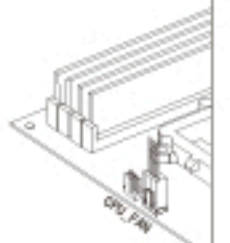
Step 5: the heat pipes being in direct contact with the processors and received thermal energy for further dissipation, and lock up mechanical spring.



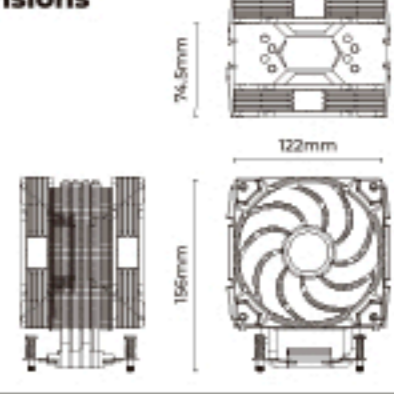
Step 6: Install fan



Step 7: The power connector is contact with CPU FAN from motherboard.




Dimensions

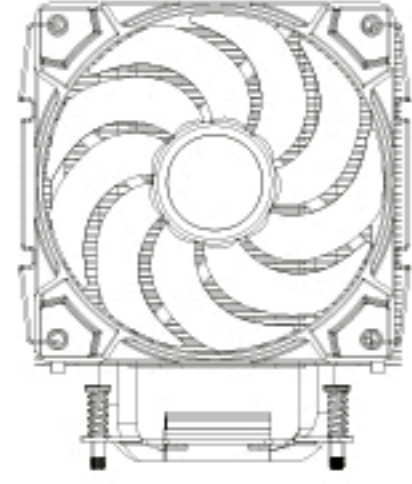


74.5mm
122mm
156mm

正面



FOR 4 PIPES MODEL



PRO COOLER 120MMx2

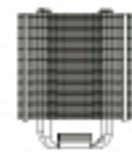








4PIPES BLACK ARGB COOLER WITH 120X2 FANS

USER MANUAL

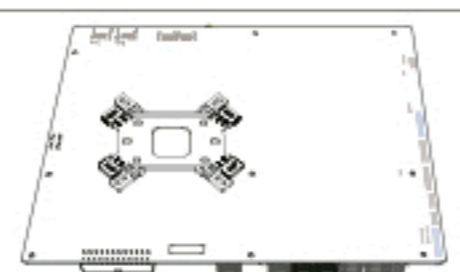
INTEL PLATFORM
1151/ 1155 / 1156 / 1200 / 1366 / 1700 / 2011 / 2066 (Core i3 / i5 / i7 / i9 CPU)

AMD PLATFORM
AM4 / FM2 / FM1 / AM3+ / AM3 / AM2+ / AM2 CPU

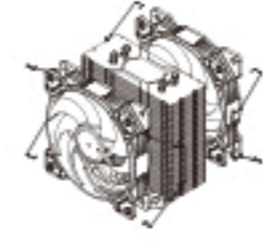
AMD

 CPU COOLER	 FAN	 FAN Unting Clip	 Mounting Bracket
 INTEL Cooler	 INTEL Cooler	 AMD Cooler	 Fix Buckle Screw
 Thermal Paste			


Step 1: Use the original backplate attached to motherboard with adjustable mounting mechanism.



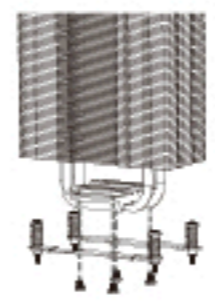
Step 1: Take out the fan.




Step 2: Tear out coating




Step 3: Fix AMD socket with screws.




Step 4: Remove mechanical slots from motherboard.



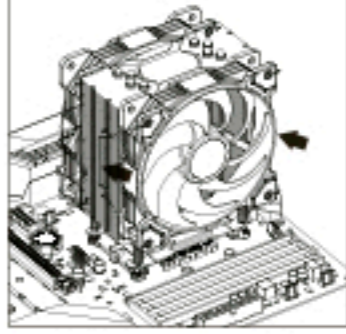
Step 5: Install processor and coming with proper thermal paste.



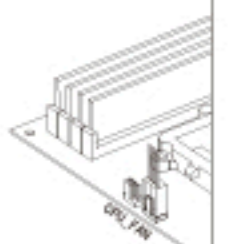
Step 6: Align and fix CPU with screws.



Step 7: Install fan



Step 8: The power connector is contact with CPU FAN from motherboard.



背面