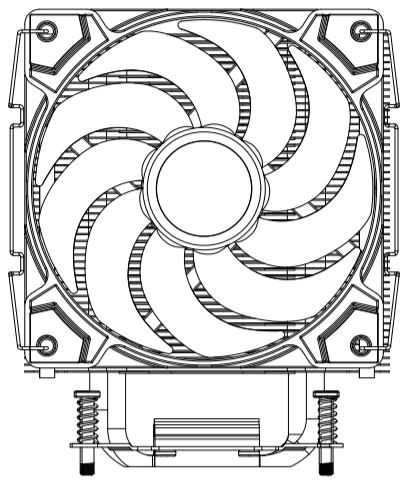


FOR 4 PIPES MODEL



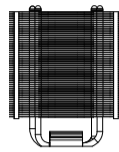
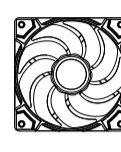
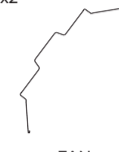
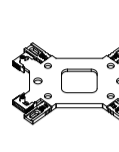
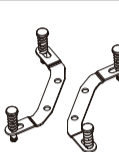
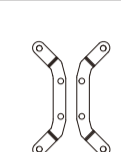
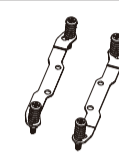


COOLER SEIRES

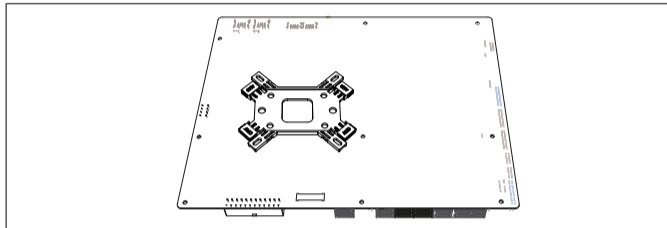
USER MANUAL

INTEL PLATFORM
LGA 775 / 1155 / 1156 / 1366 / 2011 / 2066 (Core i3 / i5 / i7 / i9 CPU)

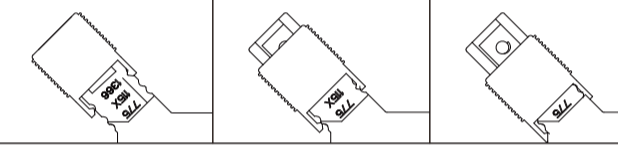
AMD PLATFORM
AM4/FM2 / FM1 / AM3+ / AM3 / AM2+ / AM2 CPU

INTEL

 CPU COOLER	 FAN	x2  FAN Unting Clip	 Mounting Bracket
 INTEL Cooler	 INTEL Cooler	 AMD Cooler	x4  Fix Buckle Screw
 Thermal Paste			

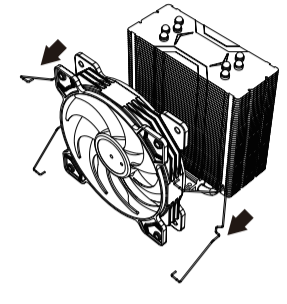


Step 1: Use the original backplate attached to motherboard with adjustable mounting mechanism.

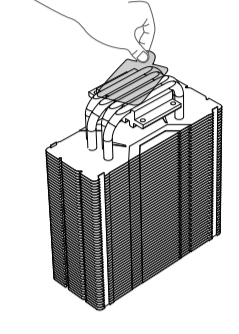


INTEL

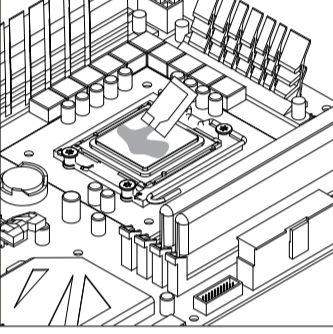
Step 2: Take out the fan.



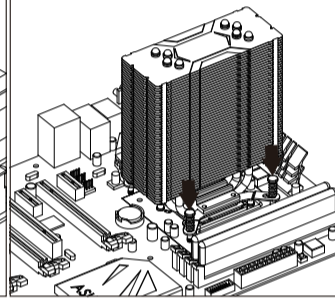
Step 3: Tear out coating



Step 4: Install processor and coming with proper thermal paste.

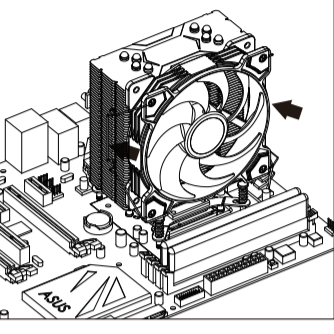


Step 5: The heat pipes being in direct contact with the processors and received thermal energy for further dissipation, and lock up mechanical spring.

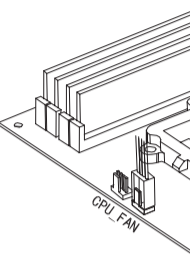


INTEL

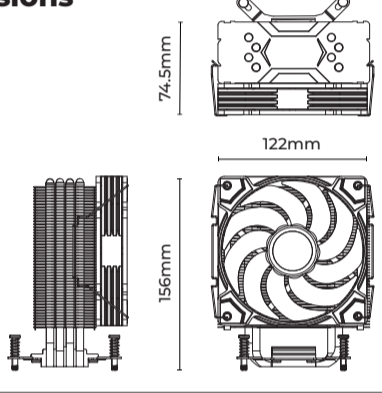
Step 6: Install fan



Step 7: The power connector is contact with CPU FAN from motherboard.




Dimensions

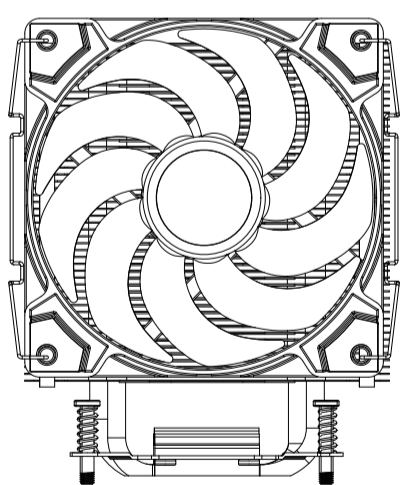


74.5mm
122mm
156mm

正面



FOR 4 PIPES MODEL



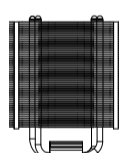


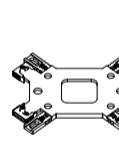
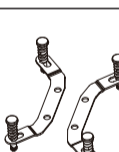
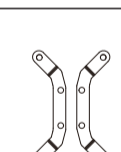
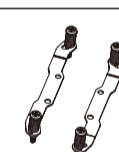


COOLER SEIRES

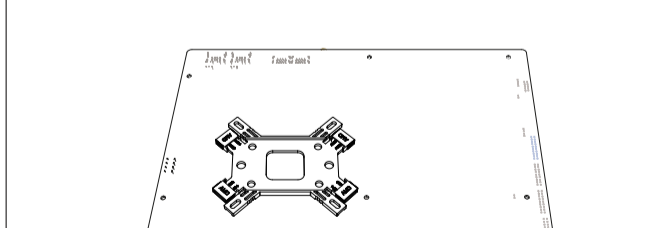
USER MANUAL

INTEL PLATFORM
LGA 775 / 1155 / 1156 / 1366 / 2011 / 2066 (Core i3 / i5 / i7 / i9 CPU)


AMD PLATFORM
AM4/FM2 / FM1 / AM3+ / AM3 / AM2+ / AM2 CPU

AMD

 CPU COOLER	 FAN	x2  FAN Unting Clip	 Mounting Bracket
 INTEL Cooler	 INTEL Cooler	 AMD Cooler	x4  Fix Buckle Screw
 Thermal Paste			

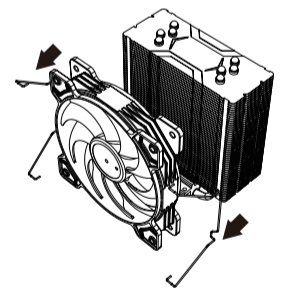


Step 1: Use the original backplate attached to motherboard with adjustable mounting mechanism.

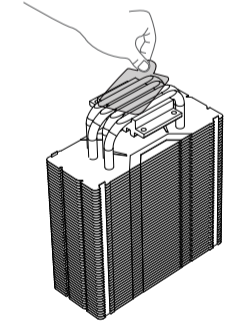


AMD

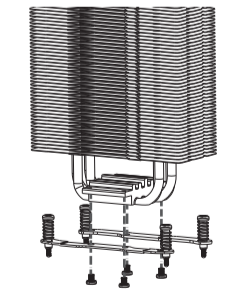
Step 1: Take out the fan.



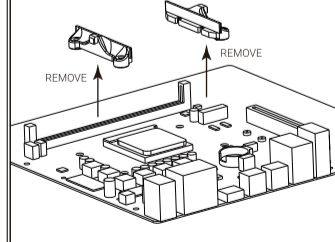
Step 2: Tear out coating



Step 3: Fix AMD socket with screws.

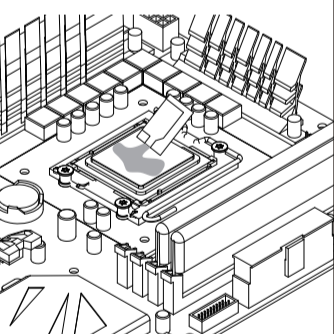


Step 4: Remove mechanical slots from motherboard.

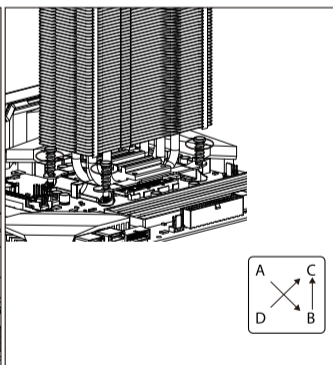


AMD

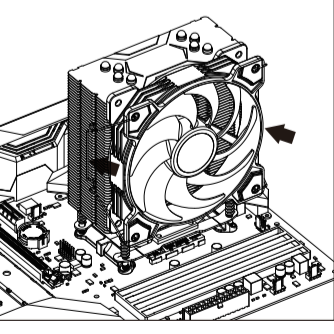
Step 5: Install processor and coming with proper thermal paste.



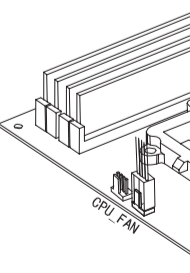
Step 6: Align and fix CPU with screws.



Step 7: Install fan



Step 8: The power connector is contact with CPU FAN from motherboard.



背面

成品折页尺寸：100*140mm
黑白印刷，书写纸